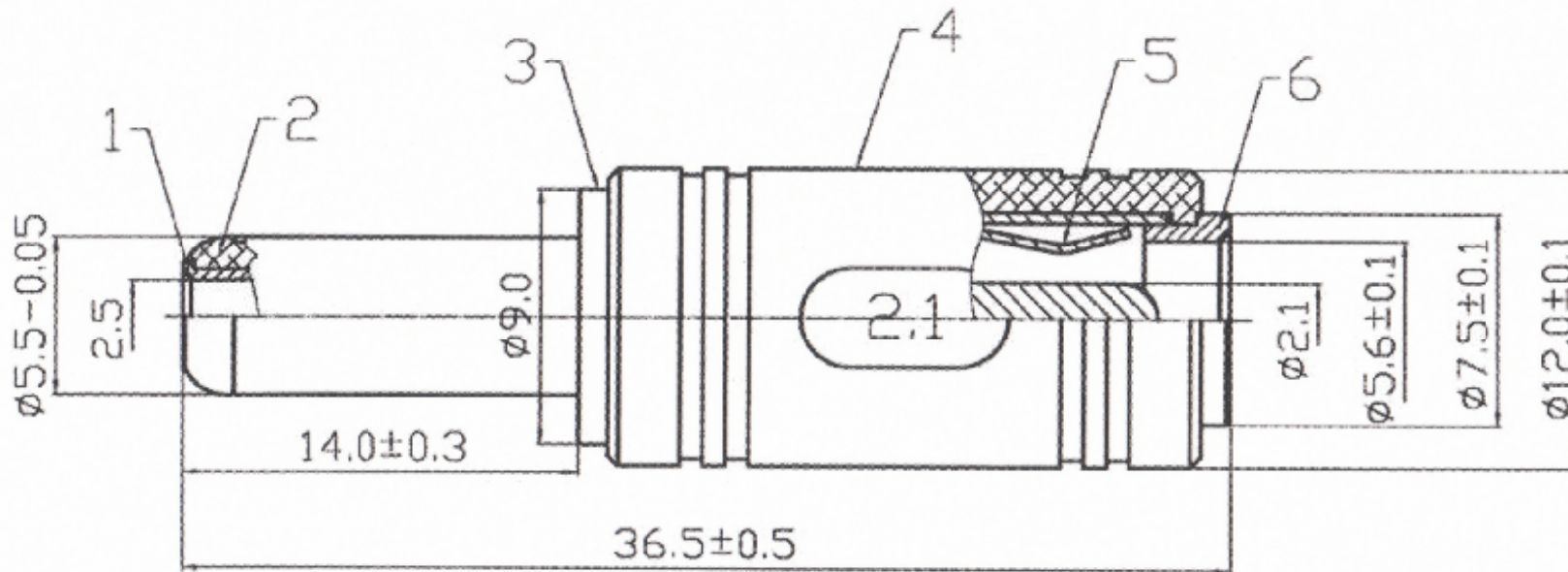


Datenblatt



6	FEMALE PART	Cu
5	SPRING PATCH	Cu
4	PLASTIC HANDLE	PVC
3	BODY	Cu
2	DIELECTRIC	POM
1	INSIDE TUBE	Cu
ITEM	DESIGNATION	MATERIAL