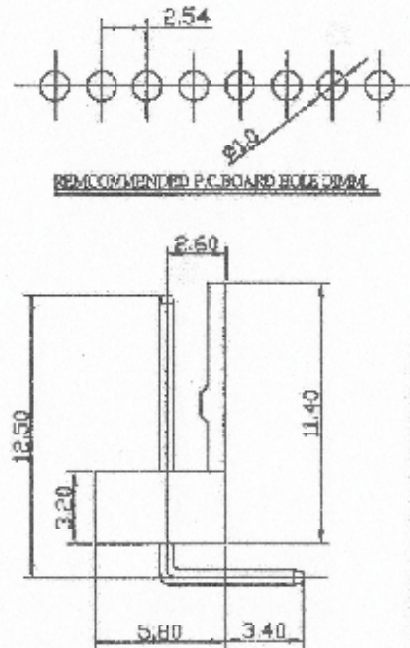
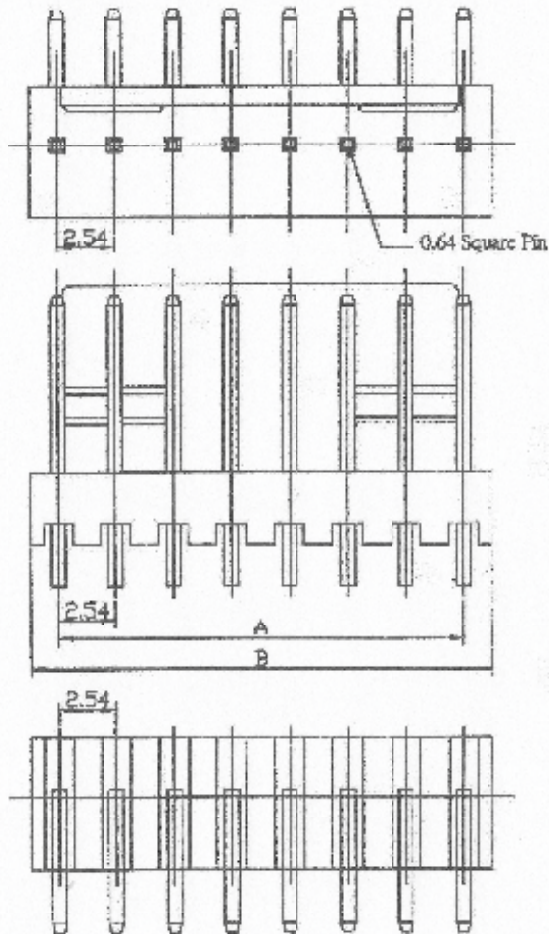


Datenblatt



Specifications

Current Rating: 2A AC, DC
 Voltage Rating: 250 AC Maximum
 Operating Temp: -25°C ~ +85°C
 Contact Resistance: 10mΩ Max
 Insulation Resistance: 1000MΩ Min
 Terminal Material: Brass/Tin-plated/Gold-plated
 Material: Nylon 66, UL94V-2

Pole	Dimension mm (in.)	
	A	B
2	2.54(0.100)	5.12(0.200)
3	5.08(0.200)	7.62(0.300)
4	7.62(0.300)	10.16(0.400)
5	10.16(0.400)	12.70(0.500)
6	12.70(0.500)	15.24(0.600)
7	15.24(0.600)	17.78(0.700)
8	17.78(0.700)	20.32(0.800)
9	20.32(0.800)	22.86(0.900)
10	22.86(0.900)	25.40(1.000)
11	25.40(1.000)	27.94(1.100)
12	27.94(1.100)	30.48(1.200)
13	30.48(1.200)	33.02(1.300)
14	33.02(1.300)	35.56(1.400)
15	35.56(1.400)	38.10(1.500)
16	38.10(1.500)	40.64(1.600)
17	40.64(1.600)	43.18(1.700)
18	43.18(1.700)	45.72(1.800)
19	45.72(1.800)	48.26(1.910)
20	48.26(1.900)	50.80(2.000)