

## Dot laser, red, 650nm, 0.4mW

DC650-0.4-4.5(14x64)-S-AP

Order Number: 70121889

Main Parameters (*)	min	typ	max	Unit
Wavelength		650		nm
Optical Output Power	0.3	0.4	0.4	mW
Operating Voltage		4.5		V DC
Operating Current	15	20	30	mA
Operating Temperature	-20		50	°C
Storage Temperature	-40		80	°C

### Technical Parameters

Lifetime	>5000h
RoHS	yes

### Optical Parameters

Beam Shape	Dot
Laser Class	1
Divergence	C - 0.4mrad
Beam Diameter	3mm
Size of Laserdot	<3mm@5m
Operating Distance	5m
Optics	glass lens AR coated
Laser technology	Single Mode Diode
Axial Divergence	±0.6°
Focus	fixed (5.0m)

### Electrical Parameters

Potential of Housing	VDD(+)
Battery	3 x LR44

### Mechanical Parameters

Size	Ø14x64mm
Material	aluminium
Output Aperture	3.5mm
Housing Color	black
Weight	21g

(\*) Over the complete operating temperature range

### Features

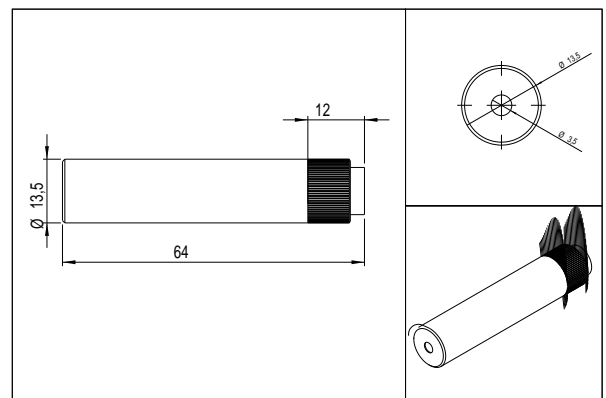


- Axial parallel
- With battery
- Glas lenses anti reflex coated
- Compact size
- Laser Class 1

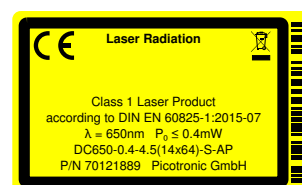
### Picture



### Drawing



### Safety Label



### Revision

| 05-JAN-2017