

circuit breaker 3VA2 IEC frame 1000 breaking capacity class M
 $I_{cu}=55kA @ 415V$ 3-pole, line protection ETU860, LSIG, $I_n=800A$
 overload protection $I_r=320A...800A$ short-circuit protection
 $I_{sd}=0.6..10x I_n$, $I_i=1.5..12x I_n$ N conductor protection optionally with
 external current transformer, up to 160% gr.-fault prot., can be sw. off
 $I_g=0.2...1 x I_n$, $t_g=0.05-0.8s$ nut keeper kit 2 auxiliary switches HP



Model	
Product brand name	SENTRON
Product designation	Molded case circuit breaker
Product version	Line protection
Design of the overcurrent release	ETU860
Protective function of the overcurrent release	LSIG
Number of poles	3

General technical data	
Rated insulation voltage U_i	800 V
Max. rated operational voltage U_e with AC 50/60Hz	690 V
Power loss [W] / maximum	135 W
Active power loss / for rated value of the current / at AC / in hot operating state / per pole	45 W
Latching - endurance	10 000
Electrical endurance (switching cycles) / at AC-1 / at 380/415 V 50/60 Hz	5 000
Electrical endurance (switching cycles) / at AC-1 / at 690 V 50/60 Hz	4 000
Neutral conductors / upgradeable/retrofitable	Yes

Ground fault monitoring version	Summation current formation L-conductor
Product function	
<ul style="list-style-type: none"> • communication function 	Yes
<ul style="list-style-type: none"> • other measurement function 	Yes

Current

Max. rated operational current of the frame size	1 000 A
Rated continuous current I _u	800 A
Operating current	
<ul style="list-style-type: none"> • at 40 °C 	800 A
<ul style="list-style-type: none"> • at 45 °C 	800 A
<ul style="list-style-type: none"> • at 50 °C 	800 A
<ul style="list-style-type: none"> • at 55 °C 	800 A
<ul style="list-style-type: none"> • at 60 °C 	800 A
<ul style="list-style-type: none"> • at 65 °C 	767 A
<ul style="list-style-type: none"> • at 70 °C 	703 A

Switching capacity according to IEC 60947

Switching capacity class of the circuit breaker	M
Maximum short-circuit current breaking capacity (I _{cu})	
<ul style="list-style-type: none"> • at 240 V 	85 kA
<ul style="list-style-type: none"> • at 415 V 	55 kA
<ul style="list-style-type: none"> • at 690 V 	25 kA
Operational short-circuit current breaking capacity (I _{cs})	
<ul style="list-style-type: none"> • at 240 V 	85 kA
<ul style="list-style-type: none"> • at 415 V 	55 kA
<ul style="list-style-type: none"> • at 690 V 	19 kA
Short-circuit current making capacity (I _{cm})	
<ul style="list-style-type: none"> • at 240 V 	187 kA
<ul style="list-style-type: none"> • at 415 V 	121 kA
<ul style="list-style-type: none"> • at 690 V 	53 kA

Adjustable parameters

Adjustable response value current / I _r min.	320 A
Adjustable response value current / I _r max.	800 A
Adjustable response value time / t _r min.	0.5
Adjustable response value time / t _r max.	25
Adjustable response value current / I _{sd} min.	480 A
Adjustable response value current / I _{sd} max.	8 000 A
Adjustable response value time / t _{sd} min.	0.05 s
Adjustable response value time / t _{sd} max.	0.5 s
Adjustable response value time / t _{sd} min.	0.05 s
Adjustable response value time / t _{sd} max.	0.5 s

Adjustable response value current / li min.	1 200 A
Adjustable response value current / li max.	8 000 A
Design of the N-conductor protection	Without
Ground fault protection can be switched ON/OFF	Yes
Ground fault protection / tripping switchable / I2t=ON/OFF	Yes
Adjustable response value current / Ig min.	160 A
Adjustable response value current / Ig max.	800 A
Adjustable response value current / tg min.	0.05 s
Adjustable response value current / tg max.	0.8 s

Mechanical Design

Height [in]	12.6 in
Height	320 mm
Width [in]	8.3 in
Width	210 mm
Depth	120 mm

Connections

Arrangement of electrical connectors / for main current circuit	Front terminal
Type of electrical connection / for main current circuit	Lug terminal
Type of connectable conductor cross-section, connection screw, width x thickness , min.	20 x 4

Environmental conditions

Protection class IP / on the front	IP40
Ambient temperature	
<ul style="list-style-type: none"> • during operation / minimum • during operation / maximum • during storage / minimum • during storage / maximum 	<ul style="list-style-type: none"> -25 °C 70 °C -40 °C 80 °C

Certificates

Reference code / acc. to DIN EN 81346-2	Q
---	---

General Product Approval	EMC	Declaration of Conformity
--------------------------	-----	---------------------------



CCC



VDE

[Miscellaneous](#)



RCM



EG-Konf.

Test Certificates	Shipping Approval	other		
-------------------	-------------------	-------	--	--

[Miscellaneous](#)



LRS

[CCS / China Classification Society](#)

[Manufacturer Declaration](#)

[Miscellaneous](#)

Further information

Information- and Downloadcenter (Catalogs, Brochures,...)

<http://www.siemens.com/lowvoltage/catalogs>

Industry Mall (Online ordering system)

<https://mall.industry.siemens.com/mall/en/en/Catalog/product?mlfb=3VA2580-5KQ32-0AB0>

Service&Support (Manuals, Certificates, Characteristics, FAQs,...)

<https://support.industry.siemens.com/cs/ww/en/ps/3VA2580-5KQ32-0AB0>

Image database (product images, 2D dimension drawings, 3D models, device circuit diagrams, ...)

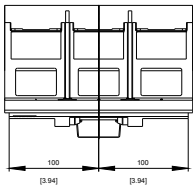
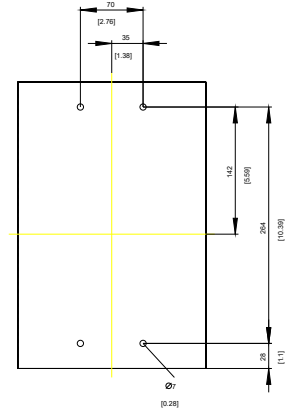
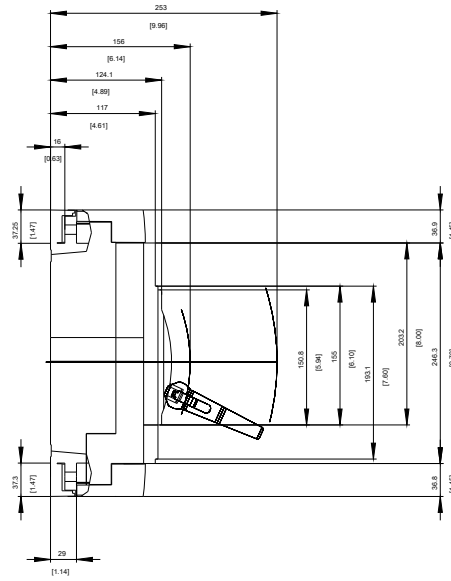
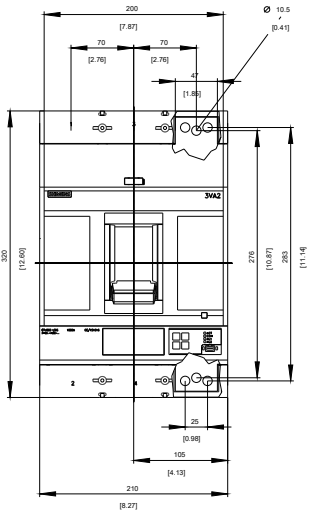
http://www.automation.siemens.com/bilddb/cax_en.aspx?mlfb=3VA2580-5KQ32-0AB0

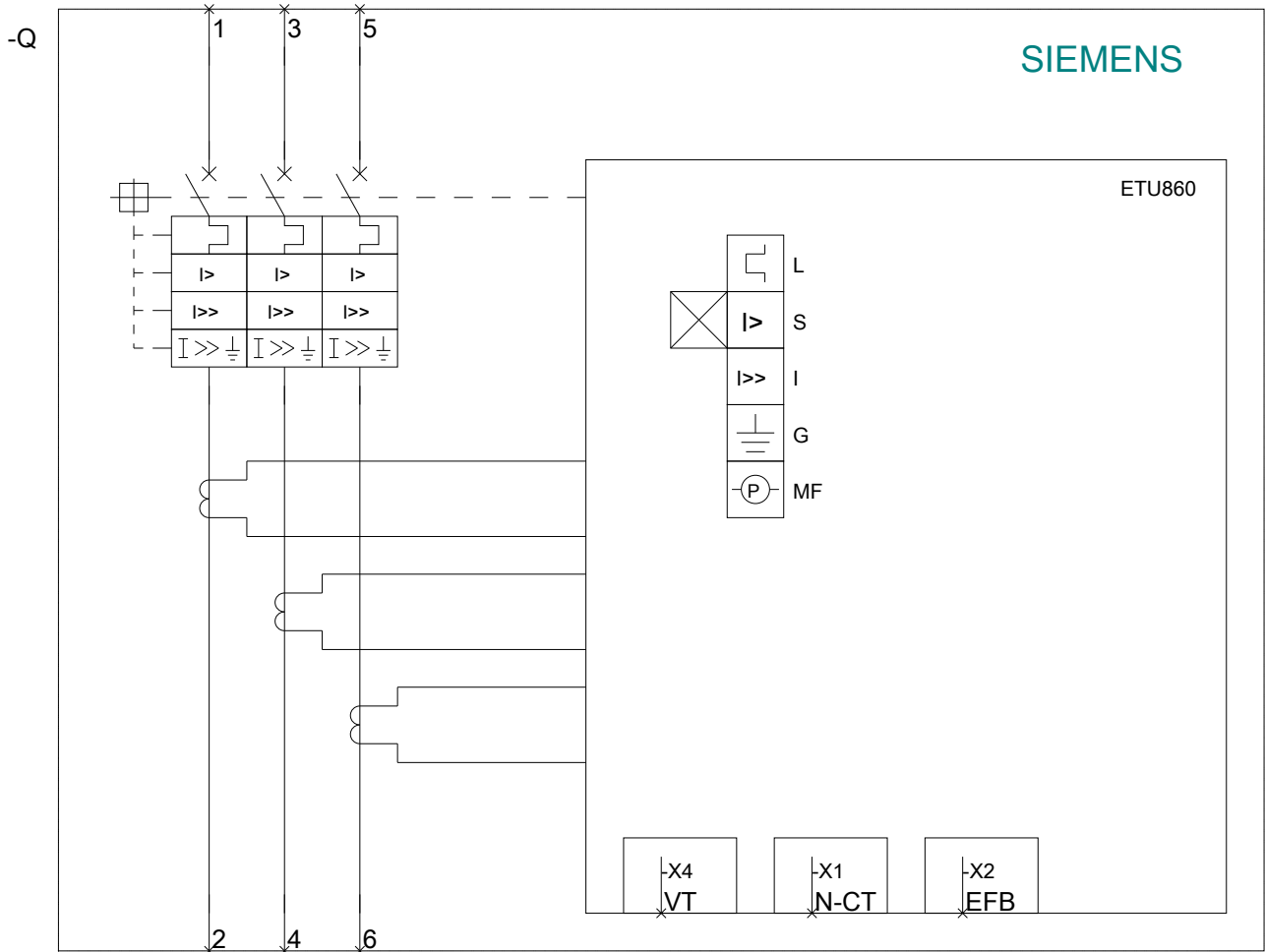
CAX-Online-Generator

<http://www.siemens.com/cax>

Tender specifications

<http://www.siemens.com/specifications>





last modified:

09/13/2019