

! Phased-out product! 1-pole electrode for lateral installation for level monitoring Mechanically stable design



Product brand name	SIRIUS
Product designation	Single-pole bow electrode
Design of the product	Mechanically stable design

**General technical data**

Product function	Probe for level monitoring
Reference code acc. to DIN 40719 extended according to IEC 204-2 acc. to IEC 750	K
Reference code acc. to DIN EN 81346-2	K
Reference code acc. to DIN EN 61346-2	K

**Certificates/ approvals**

General Product Approval	Declaration of Conformity	other
--------------------------	---------------------------	-------



[Miscellaneous](#)

[Confirmation](#)

**Further information**

**Information- and Downloadcenter (Catalogs, Brochures,...)**

[www.siemens.com/sirius/catalogs](http://www.siemens.com/sirius/catalogs)

**Industry Mall (Online ordering system)**

<https://mall.industry.siemens.com/mall/en/en/Catalog/product?mfb=3UG3207-1C>

**Cax online generator**

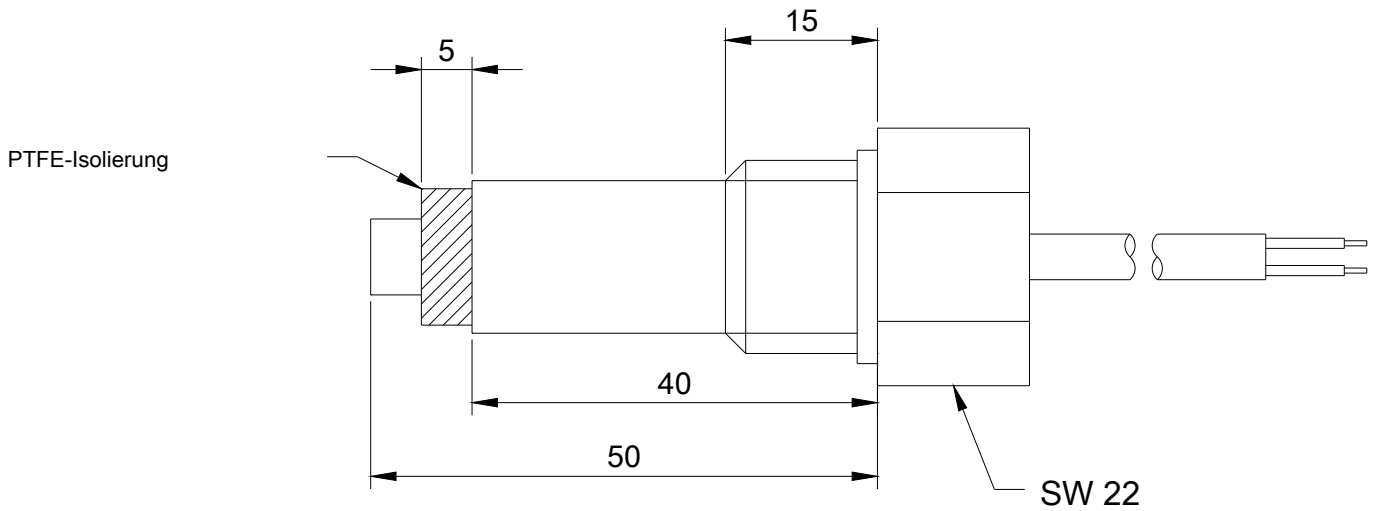
<http://support.automation.siemens.com/WW/CAXorder/default.aspx?lang=en&mfb=3UG3207-1C>

**Service&Support (Manuals, Certificates, Characteristics, FAQs,...)**

<https://support.industry.siemens.com/cs/ww/en/ps/3UG3207-1C>

**Image database (product images, 2D dimension drawings, 3D models, device circuit diagrams, EPLAN macros, ...)**

[http://www.automation.siemens.com/bilddb/cax\\_de.aspx?mfb=3UG3207-1C&lang=en](http://www.automation.siemens.com/bilddb/cax_de.aspx?mfb=3UG3207-1C&lang=en)



last modified:

09/04/2019