

SITOR fuse link, with slotted blade contacts, NH1, In: 40 A, gR, Un AC: 1000 V, Un DC: 600 V, front indicator



Model	
Product brand name	SETRON
Product designation	SITOR fuse link
Design of the product	With slotted blade contacts
Design of an identification indicator	front indicator
Design of the switching contact	With bolt-on links, silver-plated
Design of the fuse link	SITOR, LV HRC design
General technical data	
Size of fuse system / acc. to DIN EN 60269-1	NH1
Operating class of the fuse link	gR
Supply voltage	
Type of voltage	AC/DC
Current / at AC / rated value	40 A
Supply voltage	
• at AC / rated value	1 000 V
• at DC	600 V
Dissipation	
Power loss [W]	13 W

Power loss [W]	13 W
<ul style="list-style-type: none"> • for rated value of the current / at AC / in hot operating state / per pole 	

Product details

Product description	Not non-interchangeable
---------------------	-------------------------

Mechanical Design

Mounting position	Any, preferably vertical
-------------------	--------------------------

Environmental conditions

Ambient temperature	-20 ... +50 °C
Environmental category	-20 to +50 at 95% relative humidity

Certificates

Reference code	
<ul style="list-style-type: none"> • acc. to DIN EN 61346-2 • acc. to DIN EN 81346-2 	F F

Declaration of Conformity



Further information

Information- and Downloadcenter (Catalogs, Brochures,...)

<http://www.siemens.com/lowvoltage/catalogs>

Industry Mall (Online ordering system)

<https://mall.industry.siemens.com/mall/en/en/Catalog/product?mlfb=3NE3202-0MK>

Service&Support (Manuals, Certificates, Characteristics, FAQs,...)

<https://support.industry.siemens.com/cs/ww/en/ps/3NE3202-0MK>

Image database (product images, 2D dimension drawings, 3D models, device circuit diagrams, ...)

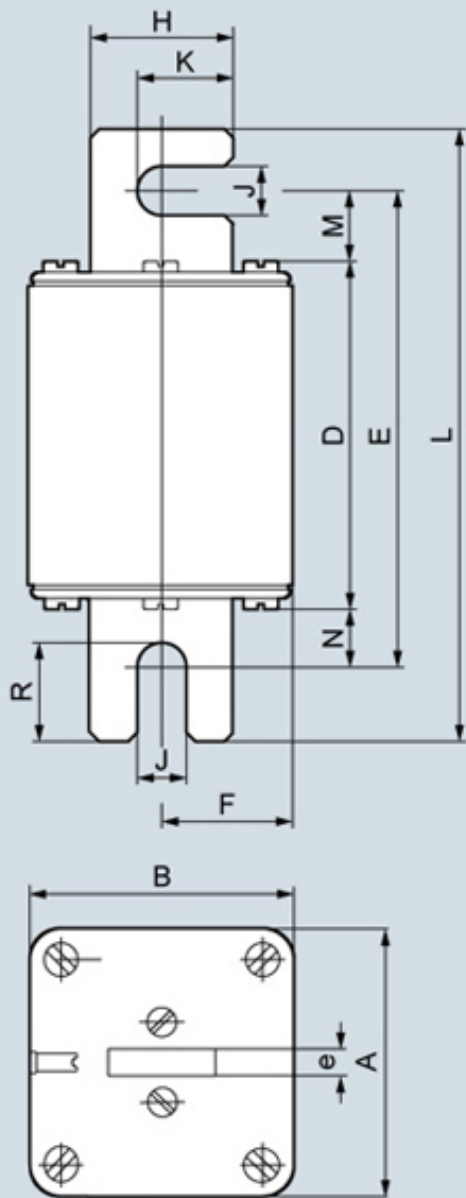
http://www.automation.siemens.com/bilddb/cax_en.aspx?mlfb=3NE3202-0MK

CAX-Online-Generator

<http://www.siemens.com/cax>

Tender specifications

<http://www.siemens.com/specifications>



I201_19436

Type	Dimensions												
	A	B	D	E	F	H	J	K	L	M	N	R	e
3NE32..-0MK	52	52	78,4	106,6	26	25	11	18	137	15,7	12,5	22,3	6
3NE32..-0MK08	52	52	78,4	106,6	26	25	11	18	137	15,7	12,5	22,3	6
3NE53..-0MK06	60	60	137	165,5	30	32	11	21,5	196	15,8	12,8	22,1	6

