

Cable connection cover with reach-around protection, for size NH2,
Accessory for fuse Switch disconnecter 3NP1



Model

Product brand name

SETRON

Certificates

[General Product Approval](#)

[Declaration of Conformity](#)

[Miscellaneous](#)



EG-Konf.

Further information

Information- and Downloadcenter (Catalogs, Brochures,...)

<http://www.siemens.com/lowvoltage/catalogs>

Industry Mall (Online ordering system)

<https://mall.industry.siemens.com/mall/en/en/Catalog/product?mlfb=3NP1953-1CD00>

Service&Support (Manuals, Certificates, Characteristics, FAQs,...)

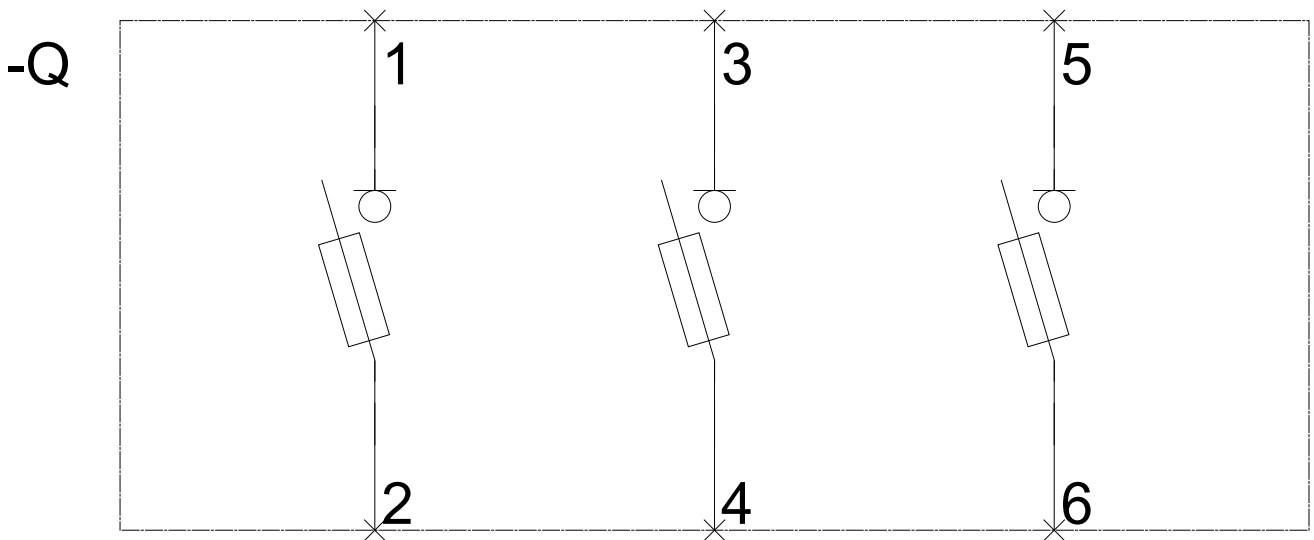
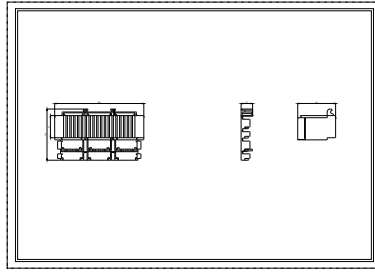
<https://support.industry.siemens.com/cs/ww/en/ps/3NP1953-1CD00>

Image database (product images, 2D dimension drawings, 3D models, device circuit diagrams, ...)

http://www.automation.siemens.com/bilddb/cax_en.aspx?mlfb=3NP1953-1CD00

CAX-Online-Generator

<http://www.siemens.com/cax>



-CB

