

Main miniature circuit breaker (SHU), 2-pole, E 16, 400V



Model	
Product brand name	SETRON
Product designation	Miniature circuit breaker
Design of the product	Main miniature circuit breaker
Design of the locking device	Integrated locking slide, lockable by means of a lock, wire seal and cable ties
General technical data	
Number of poles	2
Number of poles / Note	2P
Tripping characteristic class	E
circuit-breaker / Design	5SP3
Mechanical service life (switching cycles) / typical	20 000
Overvoltage category	IV
Voltage	
Insulation voltage / rated value	690 V
Surge voltage resistance / rated value	6 kV
Supply voltage	
Current / at AC / rated value	16 A

Supply voltage / at AC / rated value	400 V
Operating voltage / rated value	
• minimum	110 V
• maximum	440 V
Supply voltage frequency / rated value	50 Hz

Protection class	
Protection class IP	IP40, with connected conductors

Switching capacity	
Switching capacity current	
• rated value	25 kA
• acc. to EN 60898 / rated value	25 kA

Dissipation	
Power loss [W] / for rated value of the current / at AC / in hot operating state / per pole	4.5 W

Current	
Tripping residual / rated value / derated current / at 40 Cel	15.2 A
Suitability for operation	Residential buildings/infrastructure

Product details	
Product component	
• Infeed at box terminal	Yes
• saddle terminals	Yes
Product feature	
• Properties for main switches in accordance with EN 60204-1	Yes
• sealable	Yes

Display and operation	
Display version / for switch position indicator	OFF = green, ON = red

Connections	
<ul style="list-style-type: none"> • Connectable conductor cross-section / of the box terminal <ul style="list-style-type: none"> — solid — stranded • Connectable conductor cross-section <ul style="list-style-type: none"> — solid — stranded • Connectable conductor cross-section / finely stranded / with core end processing 	<ul style="list-style-type: none"> 2.5 ... 50 mm² 2.5 ... 50 mm² 2.5 ... 50 mm² 2.5 ... 50 mm² 2.5 ... 50 mm²
Position / of power supply cord	Any

Mechanical Design

Height	128 mm
Depth	76.3 mm
Depth / of the enclosure	76.3 mm
Number of width units	3
Mounting type	standard rail
Mounting type / other installation / Note	On standard mounting rail 35 mm acc. to EN 60715
Net weight	700 g

Environmental conditions

Shock resistance	30 g, at least 3 impacts, impact duration 11 ms
Vibration resistance / acc. to IEC 60068-2-6	2 g, 20 frequency cycles 5 to 150 to 15 Hz
Ambient temperature	-25 ... +55 °C
• during storage	-40 ... +70 °C

Certificates

Reference code	
• acc. to DIN EN 61346-2	F
• acc. to DIN EN 81346-2	F

General Product Approval

Declaration of Conformity



Further information

Information- and Downloadcenter (Catalogs, Brochures,...)

<http://www.siemens.com/lowvoltage/catalogs>

Industry Mall (Online ordering system)

<https://mall.industry.siemens.com/mall/en/en/Catalog/product?mlfb=5SP3216-3>

Service&Support (Manuals, Certificates, Characteristics, FAQs,...)

<https://support.industry.siemens.com/cs/ww/en/ps/5SP3216-3>

Image database (product images, 2D dimension drawings, 3D models, device circuit diagrams, ...)

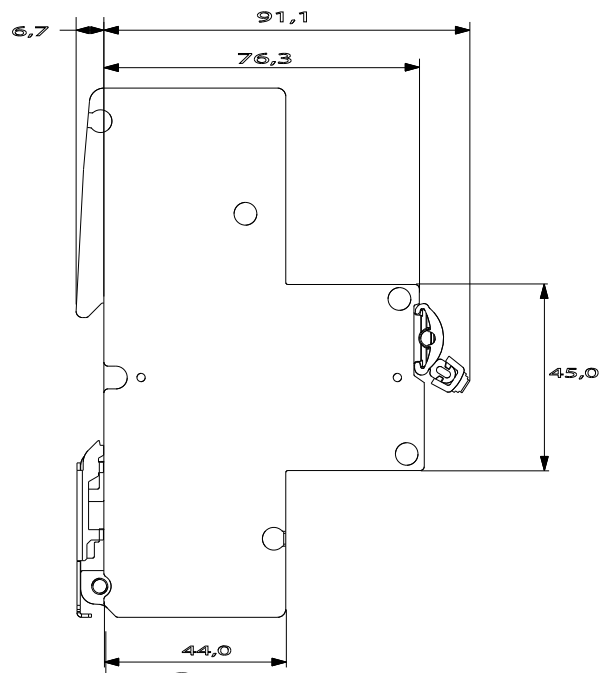
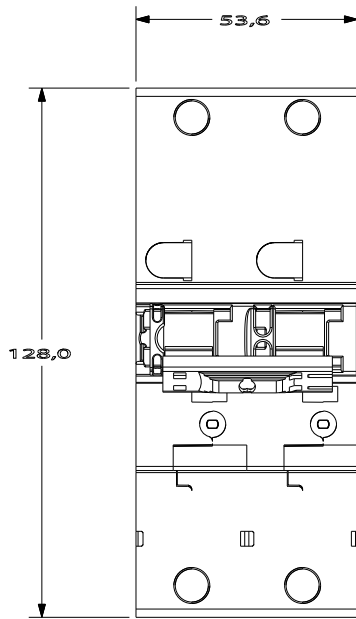
http://www.automation.siemens.com/bilddb/cax_en.aspx?mlfb=5SP3216-3

CAX-Online-Generator

<http://www.siemens.com/cax>

Tender specifications

<http://www.siemens.com/specifications>



X1

X3

