

## TECHNICAL SPECIFICATIONS

**D-Sub Hood:**

Material:	Zinc, Nickel Plated
Operating Temperature:	-45°C to + 105°C
Cable Entry:	Side Entry
Thumbscrews:	UNC 4-40 (Standard)

## Cable O.D - Standard:

9-Way:	Up to 6,5mm with grommet - 9,5mm without grommet
15-Way:	Up to 6,5mm with grommet - 12,5mm without grommet
25-Way:	Up to 8.0mm with grommet - 12,5mm without grommet

**D-Sub Screw Connector:**

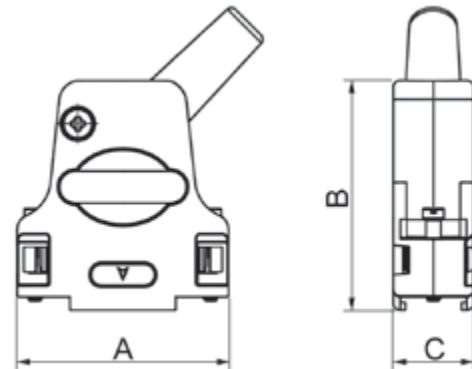
Insulator:	Glass filled TP, UL94 V-0
Shell:	Steel, Tin Plated
Contact pins:	Machined Brass pins 15µ" Gold plated over Ni.
AWG Wire Size:	AWG 18
Contact Plating:	Gold flash over Nickel
Operating Temperature:	-55°C to +85°C
Withstanding voltage:	>1000V Rms to 50 Hz for 1 minute
Current Rating:	7.5A
Insulator resistance:	>5000MΩ min.

**Features:**

- Available in sizes 9-15-25
- Excellent EMI Shielding
- Re-openable
- Spring-Clip mounted Jackscrews



...with Connectors from:  
**Amphenol**



Size D45ZF	Dim A	Dim B	Dim C
9-way	31,6	39,5	15,2
15-way	40,0	41,0	15,2
25-way	53,7	47,5	15,2
37-way	70,2	48,0	15,2

**Ordering information:****Screw Connector D-Sub Connector Kits**

Size:	P/N - Kitted:	Product Code - MALE Conn. Kit
9-way	6355-5033-01	D45ZF09-RG+L717SDE09PST
15-way	6355-5033-02	D45ZF15-RG+L717SDA15PST
25-way	6355-5033-03	D45ZF25-RG+L717SDB25PST

Size:	P/N - Kitted:	Product Code - FEMALE Conn. Kit
9-way	6355-5033-11	D45ZF09-RG+L77SDE09SST
15-way	6355-5033-12	D45ZF15-RG+L77SDA15SST
25-way	6355-5033-13	D45ZF25-RG+L77SDB25SST

