

TECHNICAL SPECIFICATIONS

D-Sub Hood:

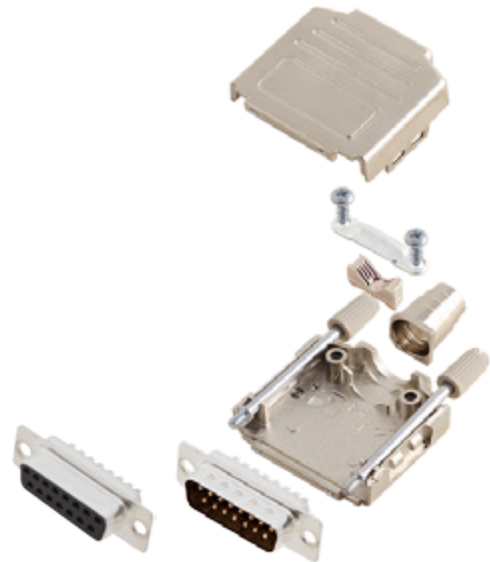
Material: UL Recognised Plastic Material
 Plating: Nickel over Copper
 Operating Temperature: -55°C to +105°C
 Cable Entry: Top
 Thumbscrews: UNC 4-40 (Standard)
 Cable O.D: Up to 11,5mm

Standard D-Sub Solder Cup:

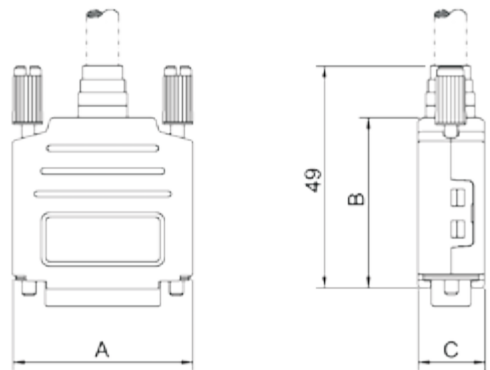
Insulator: Glass filled TP, UL94 V-0
 Shell: Steel, Tin Plated
 Contact pins: Copper Alloy
 Gold Flash over Ni.
 Stamped & Formed Pins: Class 3, 100 inserts min.
 Contact Plating: Gold flash over Nickel
 Operating Temperature: -55°C to +85°C
 Withstanding voltage: >1000V Rms to 50 Hz
 for 1 minute
 Current Rating: 5A
 Insulator resistance: >5000MΩ min.

Features:

- Available in sizes 9, 15, 25 and 37-way
- Quick-Snap locking system
- Re-openable



...with Connectors from:
Amphenol



Size DPPK-M	Dim A	Dim B	Dim C
9-way	32,5	38,0	15,0
15-way	41,0	38,0	15,0
25-way	54,5	40,0	15,0
37-way	71,0	40,0	15,0

Ordering information:

Standard D-Sub Connector Kits

Size:	P/N - Kitted:	Product Code - MALE Conn. Kit
9-way	6355-5010-01	DPPK-M-09+L717SDE09P
15-way	6355-5010-02	DPPK-M-15+L717SDA15P
25-way	6355-5010-03	DPPK-M-25+L717SDB25P
37-way	6355-5010-04	DPPK-M-37+L717SDC37P

Size:	P/N - Kitted:	Product Code - FEMALE Conn. Kit
9-way	6355-5010-11	DPPK-M-09+L77SDE09S
15-way	6355-5010-12	DPPK-M-15+L77SDA15S
25-way	6355-5010-13	DPPK-M-25+L77SDB25S
37-way	6355-5010-14	DPPK-M-37+L77SDC37S



Encitech AB
 Rörkullsvägen 4
 SE-302 41 HALMSTAD, Sweden

Tel.: +46-(0)35-15 13 90
 Fax: +46-(0)35-15 13 99

www.encitech.com