

TECHNICAL SPECIFICATIONS

D-Sub Hood:

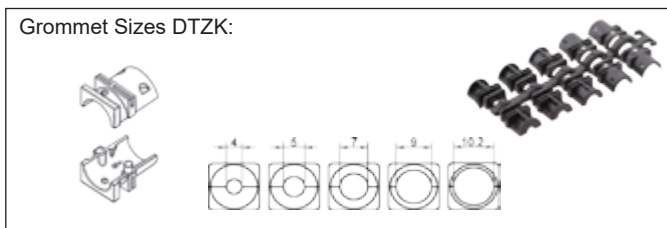
Material:	Zinc, Nickel Plated
Operating Temperature:	-40°C to +120°C
Cable Entry:	Top Entry
Thumbscrews:	UNC 4-40 (Standard)
Cable O.D:	Up to 11,5mm

Standard D-Sub Solder Cup:

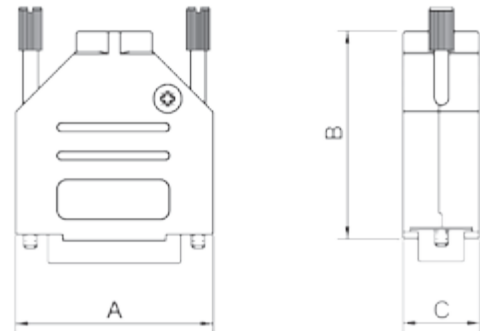
Insulator:	Glass filled TP, UL94 V-0
Shell:	Steel, Tin Plated
Contact pins:	Copper Alloy Gold Flash over Ni.
Stamped & Formed Pins	Class 3, 100 inserts min.
Contact Plating:	Gold flash over Nickel
Operating Temperature:	-55°C to +85°C
Withstanding voltage:	>1000V Rms to 50 Hz for 1 minute
Current Rating:	5A
Insulator resistance:	>5000MΩ min.

Features:

- Available in sizes 9-15-25-37
- 360° EMI Shielding
- Re-openable



...with Connectors from:
Amphenol



Size DTZK	Dim A	Dim B	Dim C
9-way	31,0	39,5	15,0
15-way	39,5	41,5	15,0
25-way	53,5	48,5	15,0
37-way	71,0	53,0	15,0

Ordering information:**Standard D-Sub Connector Kits**

Size:	P/N - Kitted:	Product Code - MALE Conn. Kit
9-way	6355-5022-01	DTZK09+L717SDE09P
15-way	6355-5022-02	DTZK15+L717SDA15P
25-way	6355-5022-03	DTZK25+L717SDB25P
37-way	6355-5022-04	DTZK37+L717SDC37P

Size:	P/N - Kitted:	Product Code - FEMALE Conn. Kit
9-way	6355-5022-11	DTZK09+L77SDE09S
15-way	6355-5022-12	DTZK15+L77SDA15S
25-way	6355-5022-13	DTZK25+L77SDB25S
37-way	6355-5022-14	DTZK37+L77SDC37S



Encitech AB
Rörkullsvägen 4
SE-302 41 HALMSTAD, Sweden

Tel.: +46-(0)35-15 13 90
Fax: +46-(0)35-15 13 99

www.encitech.com