

TECHNICAL SPECIFICATIONS

D-Sub Hood:

Material:	Zinc, Nickel Plated
Operating Temperature:	-45°C to + 105°C
Cable Entry:	Side Entry
Thumbscrews:	UNC 4-40 (Standard)

Cable O.D - Standard:

9-Way:	Up to 6,5mm with grommet - 9,5mm without grommet
15-Way:	Up to 6,5mm with grommet - 12,5mm without grommet
25-Way:	Up to 8.0mm with grommet - 12,5mm without grommet
37-Way:	Up to 9.0mm with grommet - 15,0mm without grommet

High Density D-Sub Solder Cup:

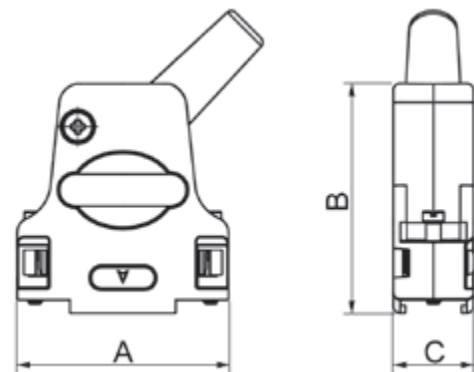
Insulator:	Glass filled TP, UL94 V-0
Shell:	Steel, Tin Plated
Contact pins:	Copper Alloy
Stamped & Formed Pins	Class 3, 100 inserts min.
Contact Plating:	Gold flash over Nickel
Operating Temperature:	-55°C to +85°C
Withstanding voltage:	>1000V Rms to 50 Hz for 1 minute
Current Rating:	3A
Insulator resistance:	>5000MΩ min.

Features:

- Available in sizes HD15-26-44-62
- Excellent EMI Shielding
- Re-openable
- Spring-Clip mounted Jackscrews



...with Connectors from:
Amphenol



Size D45ZF	Dim A	Dim B	Dim C
9-way	31,6	39,5	15,2
15-way	40,0	41,0	15,2
25-way	53,7	47,5	15,2
37-way	70,2	48,0	15,2

Ordering information:*High Density D-Sub Connector Kits*

Size:	P/N - Kitted:	Product Code - MALE Conn. Kit
HD 15	6355-5032-01	D45ZF09-RG+L717HDE15P
HD 26	6355-5032-02	D45ZF15-RG+L717HDA26P
HD 44	6355-5032-03	D45ZF25-RG+L717HDB44P
HD 62	6355-5032-04	D45ZF37-RG+L717HDC62P

Size:	P/N - Kitted:	Product Code - FEMALE Conn. Kit
HD 15	6355-5032-11	D45ZF09-RG+L77HDE15S
HD 26	6355-5032-12	D45ZF15-RG+L77HDA26S
HD 44	6355-5032-13	D45ZF25-RG+L77HDB44S
HD 62	6355-5032-14	D45ZF37-RG+L77HDC62S



Encitech AB
Rörkullsvägen 4
SE-302 41 HALMSTAD, Sweden

Tel.: +46-(0)35-15 13 90
Fax: +46-(0)35-15 13 99

www.encitech.com