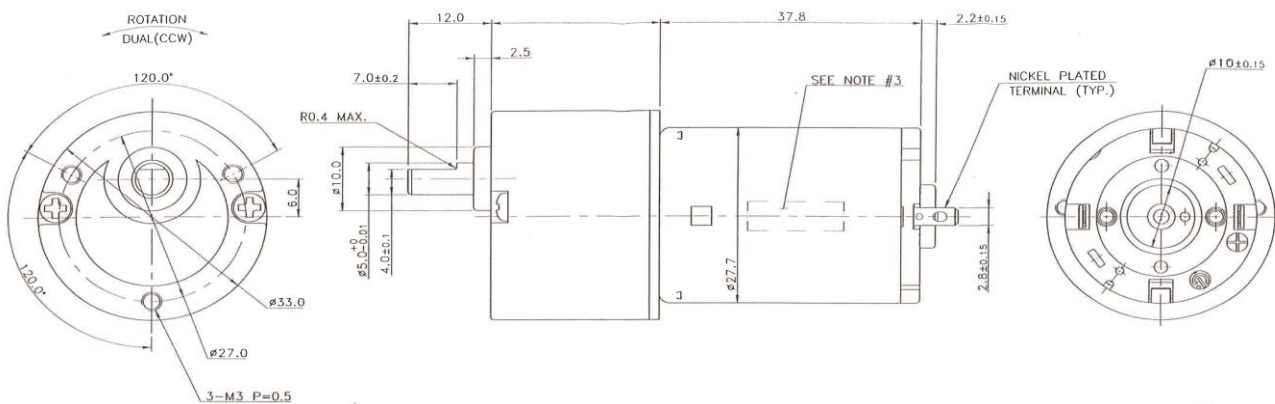
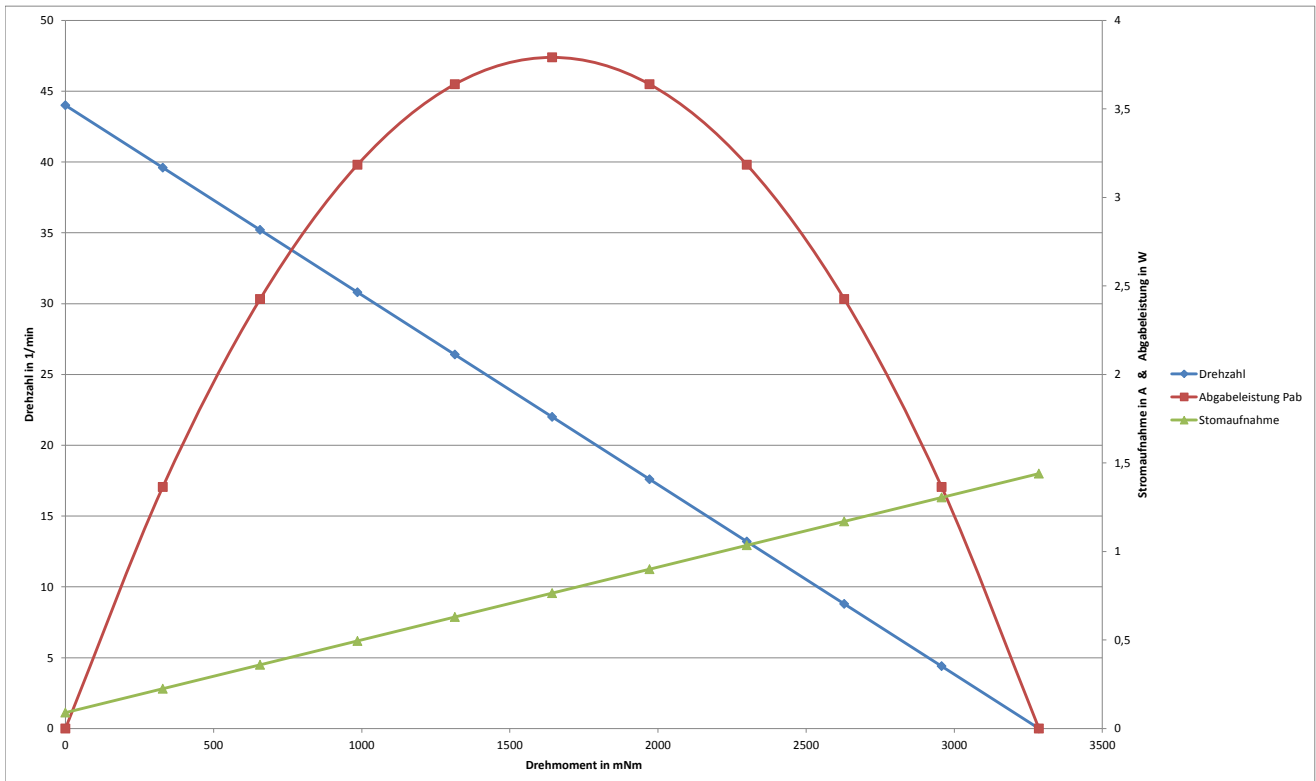


MODEL	VOLTAGE		NO LOAD		AT MAXIMUM EFFICIENCY				STARTING		max. OUTPUT POWER	POLES	CAPACITOR	BRUSHES	REDUCTION RATIO
	Operating Range	Nominal	Speed	Current	Speed	Current	Torque	Output Power	Current	Torque					
	VDC	VDC	rpm	A	rpm	A	mNm	W	A	mNm	W				
33GN2738-132-GV-5 125:1	6,0-15,0	12,0	44	0,09	36	0,35	637,00	2,50	1,44	3286,00	3,80	5	none	Carbon	150 : 1



Irrtum und Druckfehler vorbehalten / Errors and Omissions excepted