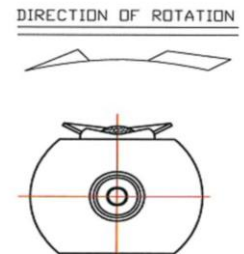
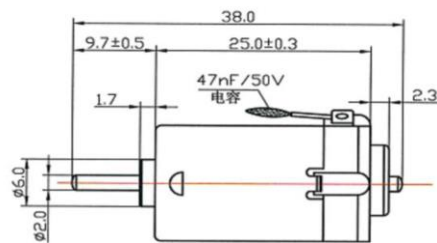
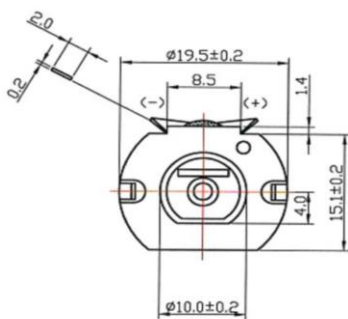
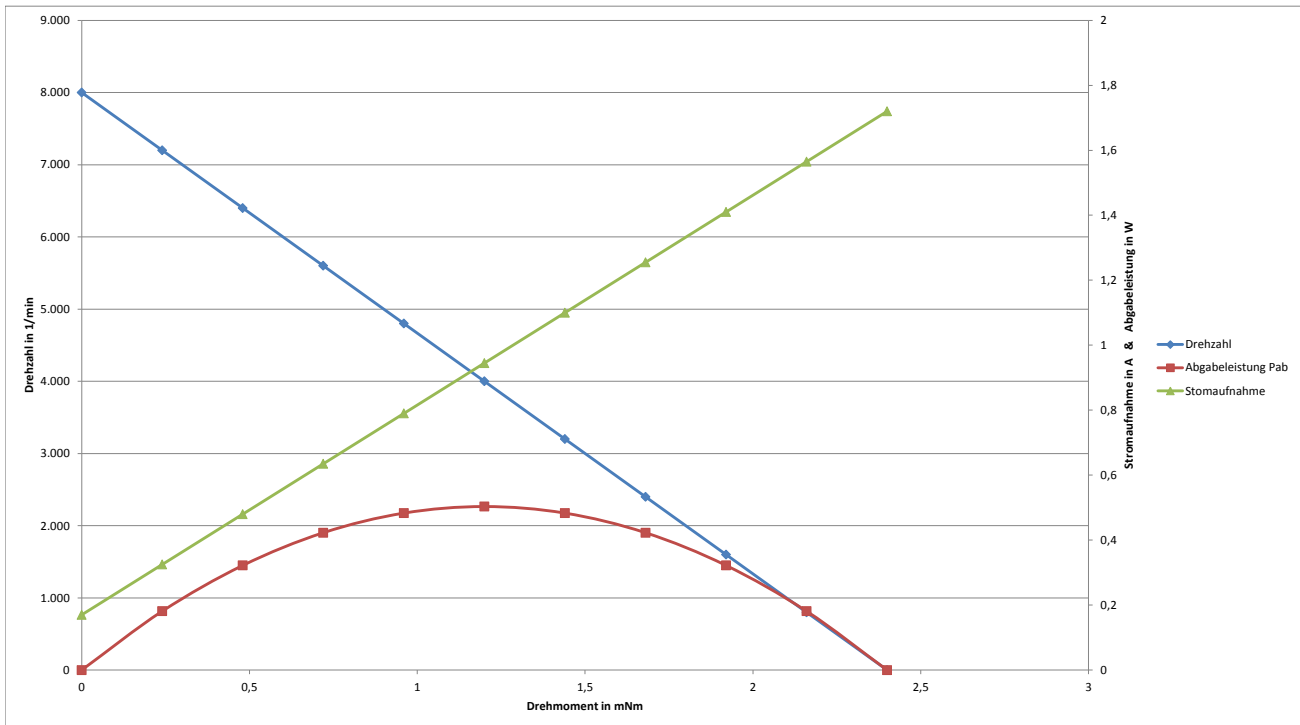


MODEL	VOLTAGE		NO LOAD		AT MAXIMUM EFFICIENCY				STARTING		max. OUTPUT POWER W	POLES	CAPACITOR	BRUSHES
	Operating Range	Nominal	Speed	Current	Speed	Current	Torque	Output Power	Current	Torque				
	VDC	VDC	rpm	A	rpm	A	mNm	W	A	mNm				
FA10-130RAC-2280-RU	1,5-3,0	1,5	8.000	0,17	6.080	0,55	0,58	0,37	1,72	2,40	0,50	3	47nF	metal



Irrtum und Druckfehler vorbehalten / Errors and Omissions excepted