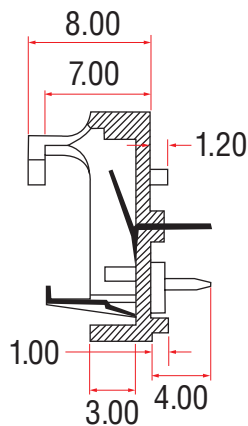
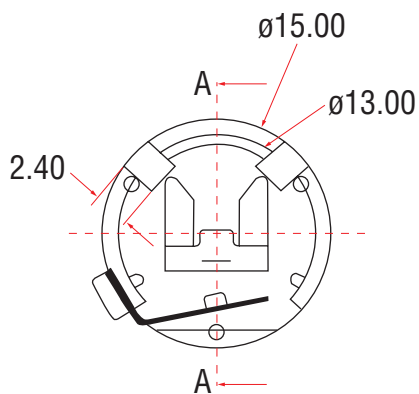
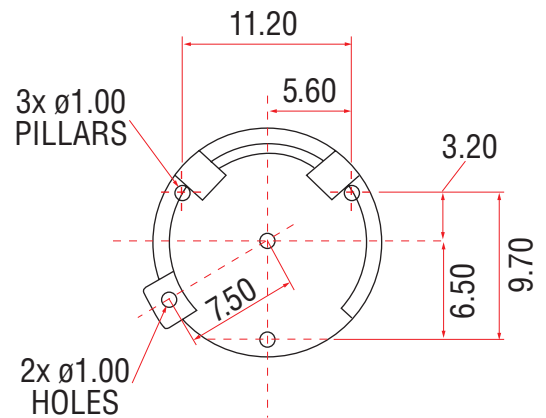


CH23-1225LF 1225 Style Coin 2-cell Holder

Order code: **18-0496**



SECTION A-A



PCB MOUNTING LAYOUT

Typical characteristics:

- Housing material: PBT +30% GF
- Contact: Phosphor bronze, 0.2mm thick tin plated over nickel
- Current rating: 2A (AC/DC)
- Voltage rating: 500V (AC/DC)
- Contact resistance: 30 milliohms
- Insulation resistance: 500 megaohms
- Temperature range: -55°C to $+85^{\circ}\text{C}$
- Humidity: 40°C and 90-95% RH for 96 hours
- RoHS compliant