




Product information GDM 2009 schwarz/black

Industrial Connecting Solutions:Rectangular Connectors:Valve Connectors (Type A -B -C):Type A:Field Attachable Valve Connectors:Valve Connectors (DIN EN 175 301-803):GDM 2009 schwarz/black
<http://e-catalog.hirschmann.com/link/57078-24228-256261-256266-256270-276215-24311-34880/en/conf/ulistate>

| | |
|--|--|
| Name | GDM 2009 schwarz/black |
| |  |
| | cable socket with central screw M 3 x 35 |
| Delivery informations | |
| Availability | available |
| Product description | |
| Description | cable socket with central screw M 3 x 35 |
| Type | GDM 2009 schwarz/black |
| Order No. | 931 965-100 |
| Other standard types | grey housing, Order no. 931 965-106 |
| Number of contacts | 2 + PE |
| Cable gland | PG 9 |
| Conductor size | max. 1.5 mm ² |
| Standard | DIN EN 175 301-803-A |
| Housing Color | black |
| Construction type | A |
| Technical data | |
| Pin dimensions | 6.3 mm x 0.8 mm, 4.8 mm x 0.8 mm |
| Rated voltage | AC/DC 250 V |
| Rated current | 16 A |
| Contact resistance | <= 4 mOhm |
| Type of termination | screw |
| Suitable cables | 4.5 mm to 7 mm diameter |
| Mounting | central nut |
| Material | |
| Contact surface material | Sn |
| Contact bearer material | PA |
| Housing material | PA |
| Environmental conditions | |
| Protection class (IEC 60529) | IP 65 (gasket necessary) |
| Pollution severity | 3 |
| Temperature range | -40 °C to +125 °C |
| Inflammability class | |
| Housing | 94 HB |
| Contact bearer | 94 HB |
| Approvals | |
| VDE | VDE |
| SEV | SEV |
| CSA | CSA |
| Packing unit | |
| Packaging unit | 200 pieces |
| Scope of delivery and accessories | |
| Accessories to order separately | (NBR) flat gasket GDM 3-7, Order no. 730 801-002; (EPDM) flat gasket GDM 3-21, |



HIRSCHMANN

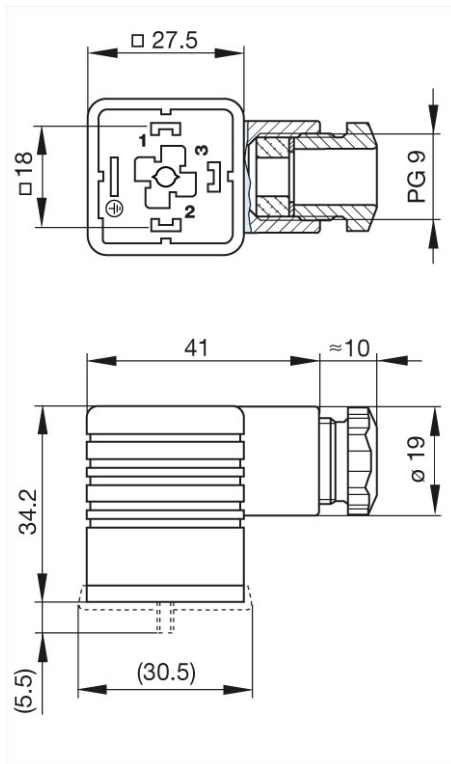
A BELDEN BRAND

Industrial Connecting Solutions:Rectangular Connectors:Valve Connectors (Type A -B -C):Type A:Field Attachable Valve Connectors:Valve Connectors (DIN EN 175 301-803):GDM 2009 schwarz/black
<http://e-catalog.hirschmann.com/link/57078-24228-256261-256266-256270-276215-24311-34880/en/conf/ui/state>

Order no. 731 739-004;
profiled gasket GDM 3-16,
Order no. 731 531-002;
knurled screw GDM 3011-8,
Order no. 732 574-001;
stainless steel screw GDM 3011 RF-1,
Order no. 734 363-001

Picture

Drawing



Belden Deutschland GmbH

Im GewerbestraÙe 2
58579 Schalksmühle
Germany
Phone: +49 7127/14-1806
E-Mail: icos-sales@belden.com

The information published in the websites has been compiled as carefully as possible. It is subject to alteration without notice in technical as well as in price-related/commercial respect. The complete information and data were available on user documentation. Mandatory information can only be obtained by a concrete query.