



Product information GSP 2 M20 schwarz/black

Industrial Connecting Solutions:Rectangular Connectors:Valve Connectors (Type A -B -C):Type A:Appliance Connectors (DIN EN 175 301-803):GSP 2 M20 schwarz/black

<http://www.e-catalog.beldensolutions.com/link/57078-24228-256261-256266-256270-276255-35186/en/conf/ui/istate>

Name GSP 2 M20 schwarz/black



appliance connector with thread, appliance connector, threaded sleeve, grip ring, o-ring (NBR)

Delivery informations

Availability available

Product description

Description appliance connector with thread, appliance connector, threaded sleeve, grip ring, o-ring (NBR)

Type GSP 2 M20 schwarz/black

Order No. 931 298-006

Number of contacts 2 + PE

Cable gland M 20

Standard DIN EN 175 301-803-A

Housing Color black

Construction type A

Technical data

Rated voltage AC/DC 400 V

Rated current 16 A

Contact resistance $\leq 4 \text{ m}\Omega$

Type of termination solder

Mounting screw

Material

Contact surface material Sn

Contact bearer material PA

Housing material PA

Environmental conditions

Protection class (IEC 60529) IP 65 (gasket necessary) (mated)

Pollution severity 3

Temperature range -40 °C to +125 °C

Inflammability class

Contact bearer 94 HB

Approvals

VDE VDE

SEV SEV

Packing unit

Packaging unit 200 pieces



HIRSCHMANN

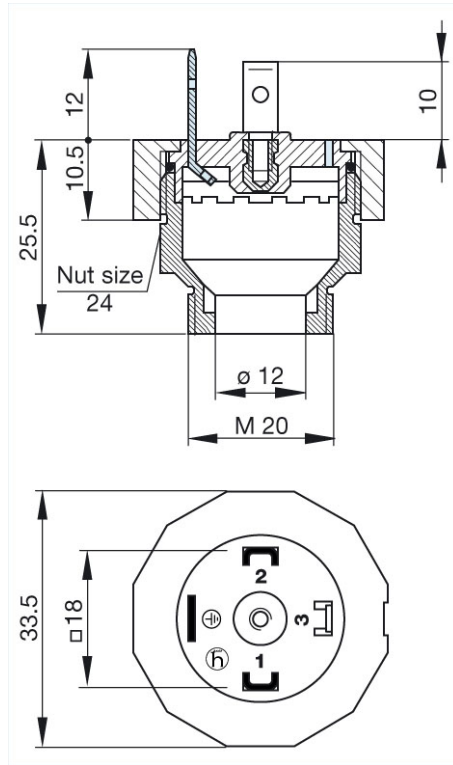
A BELDEN BRAND

Industrial Connecting Solutions:Rectangular Connectors:Valve Connectors (Type A -B -C):Type A:Appliance Connectors (DIN EN 175 301-803):GSP 2 M20 schwarz/black

<http://www.e-catalog.beldensolutions.com/link/57078-24228-256261-256266-256270-276255-35186/en/conf/ui/state>

Picture

Drawing



Belden Deutschland GmbH

Im Gewerbepark 2

58579 Schalksmühle

Germany

Phone: +49 7127/14-1806

E-Mail: icos-sales@belden.com

The information published in the websites has been compiled as carefully as possible. It is subject to alteration without notice in technical as well as in price-related/commercial respect. The complete information and data were available on user documentation. Mandatory information can only be obtained by a concrete query.