



Product information G 30 E 3 F grau/grey

Industrial Connecting Solutions:Rectangular Connectors:DIN VDE 0627 / IEC 61984 Connectors (G serie):Cable socket:G 30 E 3 F grau/grey

<http://www.e-catalog.beldensolutions.com/link/57078-24228-256261-24347-24348-36908/en/conf/ui/state>

Name G 30 E 3 F grau/grey



Panel-mounted socket grey with flange, with solder contacts

Delivery informations

Availability available

Product description

Description Panel-mounted socket grey with flange, with solder contacts

Type G 30 E 3 F grau/grey

Order No. 931 782-106

Type of contact forked spring

Number of contacts 3 + PE

Standard DIN VDE 0627 / IEC 61984

Housing Color grey

Technical data

Rated voltage AC/DC 250 V

Rated current 10 A

Contact resistance $\leq 4 \text{ m}\Omega$

Type of termination solder

Suitable cables 4 mm to 7.5 mm

Material

Contact surface material Sn

Contact bearer material PA

Housing material PA

Environmental conditions

Protection class (IEC 60529) IP 65

Pollution severity 3

Temperature range -40 °C to +90 °C

Inflammability class

Housing 94 HB

Contact bearer 94 HB

Approvals

VDE VDE

Packing unit

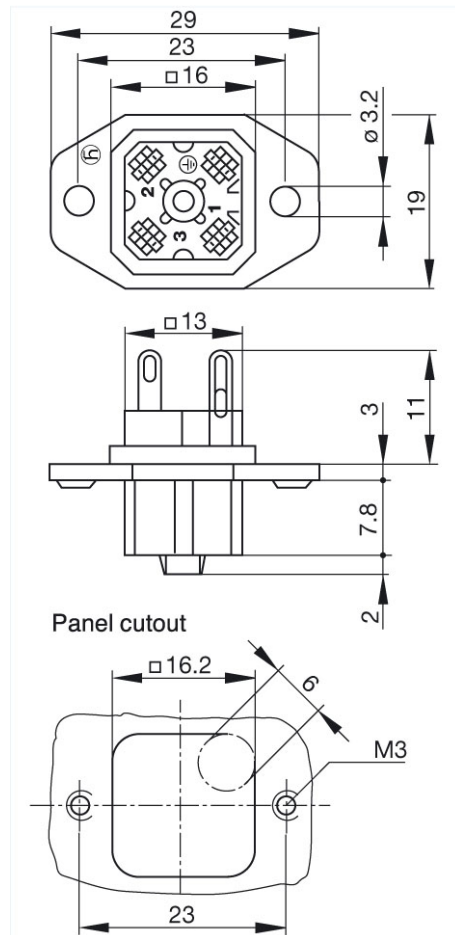
Packaging unit 100 pieces

Scope of delivery and accessories

Scope of delivery 1 panel-mounted socket

Accessories to order separately can be plugged into G 30 KW 3 M; flat gasket G 30 E-1, order no. 732 135-002

Picture
Drawing



Belden Deutschland GmbH
 Im Gewerbepark 2
 58579 Schalksmühle
 Germany
 Phone: +49 7127/14-1806
 E-Mail: icos-sales@belden.com

The information published in the websites has been compiled as carefully as possible. It is subject to alteration without notice in technical as well as in price-related/commercial respect. The complete information and data were available on user documentation. Mandatory information can only be obtained by a concrete query.