




Product information GO 60 FAV M schwarz/black

Industrial Connecting Solutions:Rectangular Connectors:DIN VDE 0627 / IEC 61984 Connectors (G serie):Cable plug:GO 60 FAV M schwarz/black

<http://www.e-catalog.beldensolutions.com/link/57078-24228-256261-24347-24349-37029/en/conf/ui/state>

Name	GO 60 FAV M schwarz/black
	
	Surface mounted connector with flange with solder contacts
Delivery informations	
Availability	available
Product description	
Description	Surface mounted connector with flange with solder contacts
Type	GO 60 FAV M schwarz/black
Order No.	932 918-100
Type of contact	blade contacts
Number of contacts	6
Standard	DIN VDE 0627 / IEC 61984
Housing Color	black
Technical data	
Pin dimensions	2.8 mm x 0.8 mm
Rated voltage	AC/DC 250 V
Rated current	6 A
Contact resistance	<= 4 mOhm
Type of termination	solder
Mounting	screws
Material	
Contact surface material	Sn
Contact bearer material	PA
Housing material	PA
Environmental conditions	
Protection class (IEC 60529)	IP 65
Pollution severity	3
Temperature range	-40 °C to +90 °C
Inflammability class	
Housing	94 V-1
Contact bearer	94 V-1
Packing unit	
Packaging unit	100 pieces
Scope of delivery and accessories	
Scope of delivery	1 surface mounted connector, 1 flat gasket
Accessories to order separately	can be plugged into GO 60 WF schwarz/black

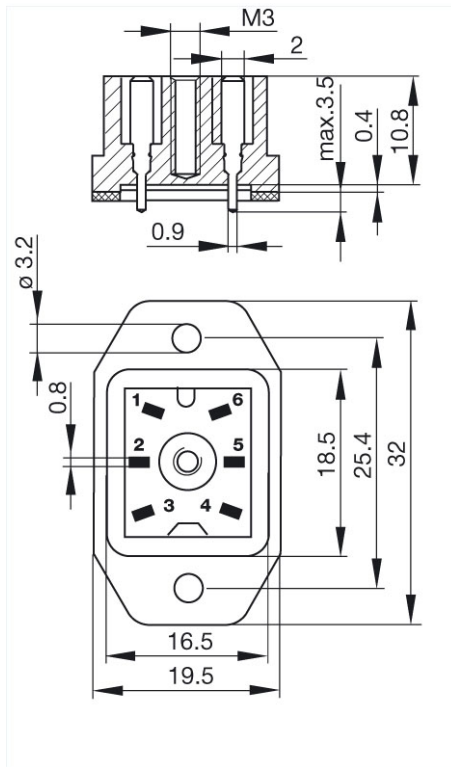


HIRSCHMANN

A BELDEN BRAND

Industrial Connecting Solutions: Rectangular Connectors: DIN VDE 0627 / IEC 61984 Connectors (G serie): Cable plug: GO 60 FAV M schwarz/black
<http://www.e-catalog.beldensolutions.com/link/57078-24228-256261-24347-24349-37029/en/conf/ui/state>

Picture
Drawing



Belden Deutschland GmbH
Im Gewerbepark 2
58579 Schalksmühle
Germany
Phone: +49 7127/14-1806
E-Mail: icos-sales@belden.com

The information published in the websites has been compiled as carefully as possible. It is subject to alteration without notice in technical as well as in price-related/commercial respect. The complete information and data were available on user documentation. Mandatory information can only be obtained by a concrete query.