




## Product information GO 610 WF schwarz/black

Industrial Connecting Solutions:Rectangular Connectors:DIN VDE 0627 / IEC 61984 Connectors (G serie):Cable socket:GO 610 WF schwarz/black

<http://www.e-catalog.beldensolutions.com/link/57078-24228-256261-24347-24348-36957/en/conf/ui/istate>

Name	GO 610 WF schwarz/black
	
	Cable socket with PG 11 cable gland with screw contacts
<b>Delivery informations</b>	
Availability	available
<b>Product description</b>	
Description	Cable socket with PG 11 cable gland with screw contacts
Type	GO 610 WF schwarz/black
Order No.	932 484-100
Type of contact	female
Number of contacts	6 + PE
Cable gland	PG 11
Conductor size	0.25 - 1 mm <sup>2</sup>
Standard	DIN VDE 0627 / IEC 61984
Housing Color	black
<b>Technical data</b>	
Rated voltage	AC/DC 250 V
Rated current	10 A
Contact resistance	<= 4 mOhm
Type of termination	screw
Suitable cables	4 mm to 10 mm
<b>Material</b>	
Contact surface material	Sn
Contact bearer material	PA
Housing material	PA
<b>Environmental conditions</b>	
Protection class (IEC 60529)	IP 65
Pollution severity	3
Temperature range	-40 °C to +90 °C
<b>Inflammability class</b>	
Housing	94 V-1
Contact bearer	94 V-1
<b>Packing unit</b>	
Packaging unit	100 pieces
<b>Scope of delivery and accessories</b>	
Scope of delivery	1 cable socket with PG 11 cable gland, 1 central screw M 3 x 35, 2 gaskets, not assembled, in polythene bag
Accessories to order separately	can be plugged into GO 610 FA M



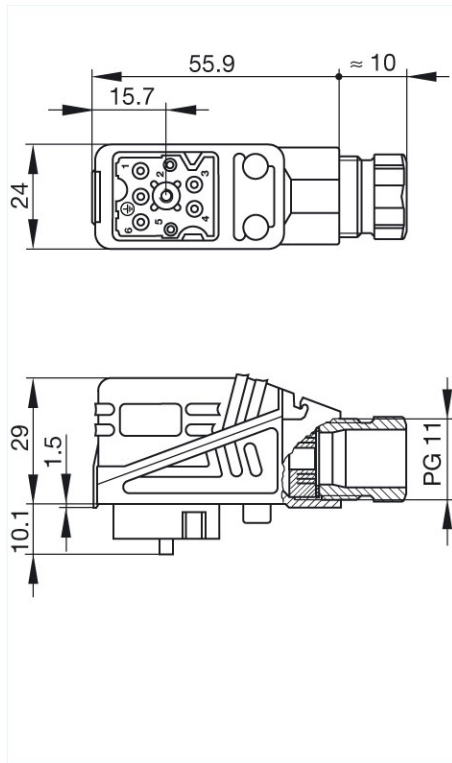
# HIRSCHMANN

A BELDEN BRAND

Industrial Connecting Solutions:Rectangular Connectors:DIN VDE 0627 / IEC 61984 Connectors (G serie):Cable socket:GO 610 WF schwarz/black  
<http://www.e-catalog.beldensolutions.com/link/57078-24228-256261-24347-24348-36957/en/conf/ui/istate>

Picture

Drawing



**Belden Deutschland GmbH**

Im Gewerbepark 2  
58579 Schalksmühle  
Germany  
Phone: +49 7127/14-1806  
E-Mail: [icos-sales@belden.com](mailto:icos-sales@belden.com)

The information published in the websites has been compiled as carefully as possible. It is subject to alteration without notice in technical as well as in price-related/commercial respect. The complete information and data were available on user documentation. Mandatory information can only be obtained by a concrete query.