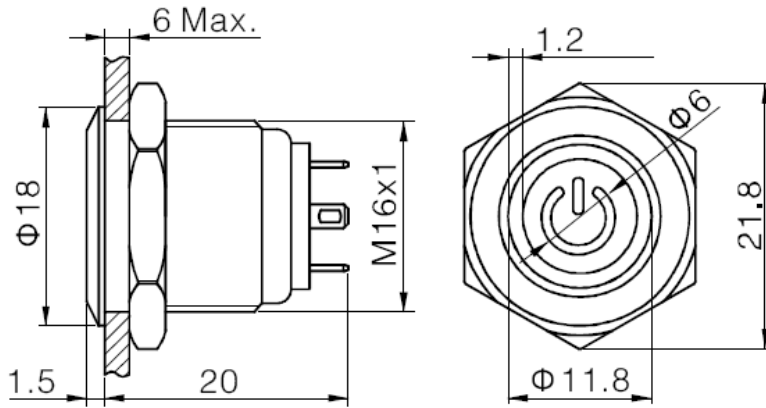


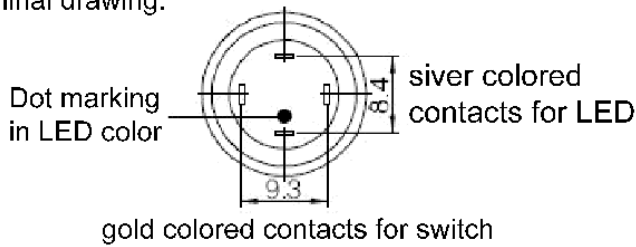
Data Sheet

Push button switch

Version 09/19



Terminal drawing:



6 MAX: means the panel thickness, the max thickness for the panel no more than 6mm.

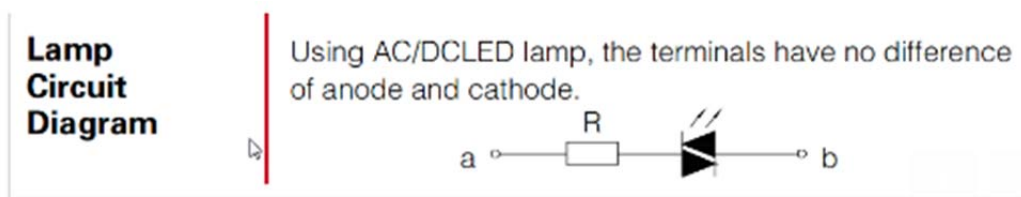
Specification

Mounting diameter	16 mm
Head shape	Flat round head
Operation type	Momentary
Contact structure	1NO
Switch rating	2A/48VDC
Illumination type	Ring and power symbol
Terminal	Soldering Pins
Body material	Stainless steel
Operating and storage temperature	-25 to +55 °C
Operating and storage humidity	45 to 85 % RH
Base material	PA
IP rating	IP65

Data Sheet

Item no.	LED color	LED voltage (w/resistor)	LED voltage imprint(w/o resistor)
1719867	Green	12 V	2.8 V
1719868	White	12 V	2.8 V
1719869	Red	12 V	1.8 V
1719870	Blue	12 V	2.8 V

Warning: the resistor must be connected to LED terminal in series, otherwise the LED light will be burnt out



Current-Limiting Resistance Configuration Table	Operating Voltage (U)	6V	12V	24V	36V	Formula $R = \frac{U - U_e}{I_e}$
	Current-Limiting Resistance (R)	R Y O	270 Ω, 1/4W	820 Ω, 1/4W	2.2KΩ, 1W	
	G B W	270 Ω, 1/4W	820 Ω, 1/4W	2.2KΩ, 1W	3.9KΩ, 1W	