

circuit breaker 3VA2 IEC frame 160 breaking capacity class H
 $I_{cu}=85kA @ 415V$ 3-pole, line protection ETU340, ELISA LI, $I_n=40A$
 overload protection $I_r=16A...40A$ short-circuit protection $I_i=15 \times I_n$
 clamp connection



| Model | |
|--|-----------------------------|
| Product brand name | SENTRON |
| Product designation | Molded case circuit breaker |
| Product version | Line protection |
| Design of the overcurrent release | ETU340 |
| Protective function of the overcurrent release | ELISA LI |
| Number of poles | 3 |

| General technical data | |
|--|--------|
| Rated insulation voltage U_i | 800 V |
| Max. rated operational voltage U_e with AC 50/60Hz | 690 V |
| Power loss [W] / maximum | 1.6 W |
| Active power loss / for rated value of the current / at AC / in hot operating state / per pole | 0.53 W |
| Latching - endurance | 20 000 |
| Electrical endurance (switching cycles) / at AC-1 / at 380/415 V 50/60 Hz | 12 000 |
| Electrical endurance (switching cycles) / at AC-1 / at 690 V 50/60 Hz | 8 000 |
| Neutral conductors / upgradeable/retrofitable | No |

| | |
|---------------------------------|---------|
| Ground fault monitoring version | Without |
| Product function | |
| • communication function | No |
| • other measurement function | No |
| Net weight | 2.43 kg |

Current

| | |
|--|-------|
| Max. rated operational current of the frame size | 160 A |
| Rated continuous current I_u | 40 A |
| Operating current | |
| • at 40 °C | 40 A |
| • at 45 °C | 40 A |
| • at 50 °C | 40 A |
| • at 55 °C | 40 A |
| • at 60 °C | 40 A |
| • at 65 °C | 40 A |
| • at 70 °C | 40 A |

Switching capacity according to IEC 60947

| | |
|--|--------|
| Switching capacity class of the circuit breaker | H |
| Maximum short-circuit current breaking capacity (I_{cu}) | |
| • at 240 V | 110 kA |
| • at 415 V | 85 kA |
| • at 440 V | 85 kA |
| • at 500 V | 55 kA |
| • at 690 V | 20 kA |
| Operational short-circuit current breaking capacity (I_{cs}) | |
| • at 240 V | 110 kA |
| • at 415 V | 85 kA |
| • at 440 V | 85 kA |
| • at 500 V | 55 kA |
| • at 690 V | 20 kA |
| Short-circuit current making capacity (I_{cm}) | |
| • at 240 V | 242 kA |
| • at 415 V | 187 kA |
| • at 440 V | 187 kA |
| • at 500 V | 121 kA |
| • at 690 V | 42 kA |

Adjustable parameters

| | |
|--|------|
| Adjustable response value current / I_r min. | 16 A |
| Adjustable response value current / I_r max. | 40 A |
| Adjustable response value time / t_r min. | 1300 |

| | |
|--|-------|
| Adjustable response value time / tr max. | 1300 |
| Short-term delayed / tripping switchable / I2t=ON/OFF | No |
| Adjustable response value current / li min. | 600 A |
| Adjustable response value current / li max. | 600 A |
| Ground fault protection / tripping switchable / I2t=ON/OFF | No |

Mechanical Design

| | |
|-------------|--------|
| Height [in] | 7.1 in |
| Height | 181 mm |
| Width [in] | 4.1 in |
| Width | 105 mm |
| Depth [in] | 3.4 in |
| Depth | 86 mm |

Connections

| | |
|---|------------------------------|
| Arrangement of electrical connectors / for main current circuit | Front terminal |
| Type of electrical connection / for main current circuit | box terminal |
| Type of connectable conductor cross-section, round conductor terminal, stranded | 1 x (6-120 mm ²) |

Auxiliary circuit

| | |
|--|---|
| Number of CO contacts / for auxiliary contacts | 0 |
|--|---|

Accessories

| | |
|--|-----|
| Product extension / optional / motor drive | Yes |
|--|-----|

Environmental conditions

| | |
|------------------------------------|--------|
| Protection class IP / on the front | IP40 |
| Ambient temperature | |
| • during operation / minimum | -25 °C |
| • during operation / maximum | 70 °C |
| • during storage / minimum | -40 °C |
| • during storage / maximum | 80 °C |

Certificates

| | |
|---|---|
| Reference code / acc. to DIN EN 81346-2 | Q |
|---|---|

| | |
|--------------------------|-----|
| General Product Approval | EMC |
|--------------------------|-----|



CCC



VDE

CB

CB

[Miscellaneous](#)

EAC



RCM

| | | |
|---------------------------|-------------------|-------------------|
| Declaration of Conformity | Test Certificates | Shipping Approval |
|---------------------------|-------------------|-------------------|



EG-Konf.

[Type Test Certificates/Test Report](#)

[Miscellaneous](#)

[Special Test Certificate](#)



LRS

[CCS / China Classification Society](#)

| |
|-------|
| other |
|-------|

[Manufacturer Declaration](#)

[Miscellaneous](#)

| |
|---------------------|
| Further information |
|---------------------|

Information- and Downloadcenter (Catalogs, Brochures,...)

<http://www.siemens.com/lowvoltage/catalogs>

Industry Mall (Online ordering system)

<https://mall.industry.siemens.com/mall/en/en/Catalog/product?mlfb=3VA2140-6HK36-0AA0>

Service&Support (Manuals, Certificates, Characteristics, FAQs,...)

<https://support.industry.siemens.com/cs/ww/en/ps/3VA2140-6HK36-0AA0>

Image database (product images, 2D dimension drawings, 3D models, device circuit diagrams, ...)

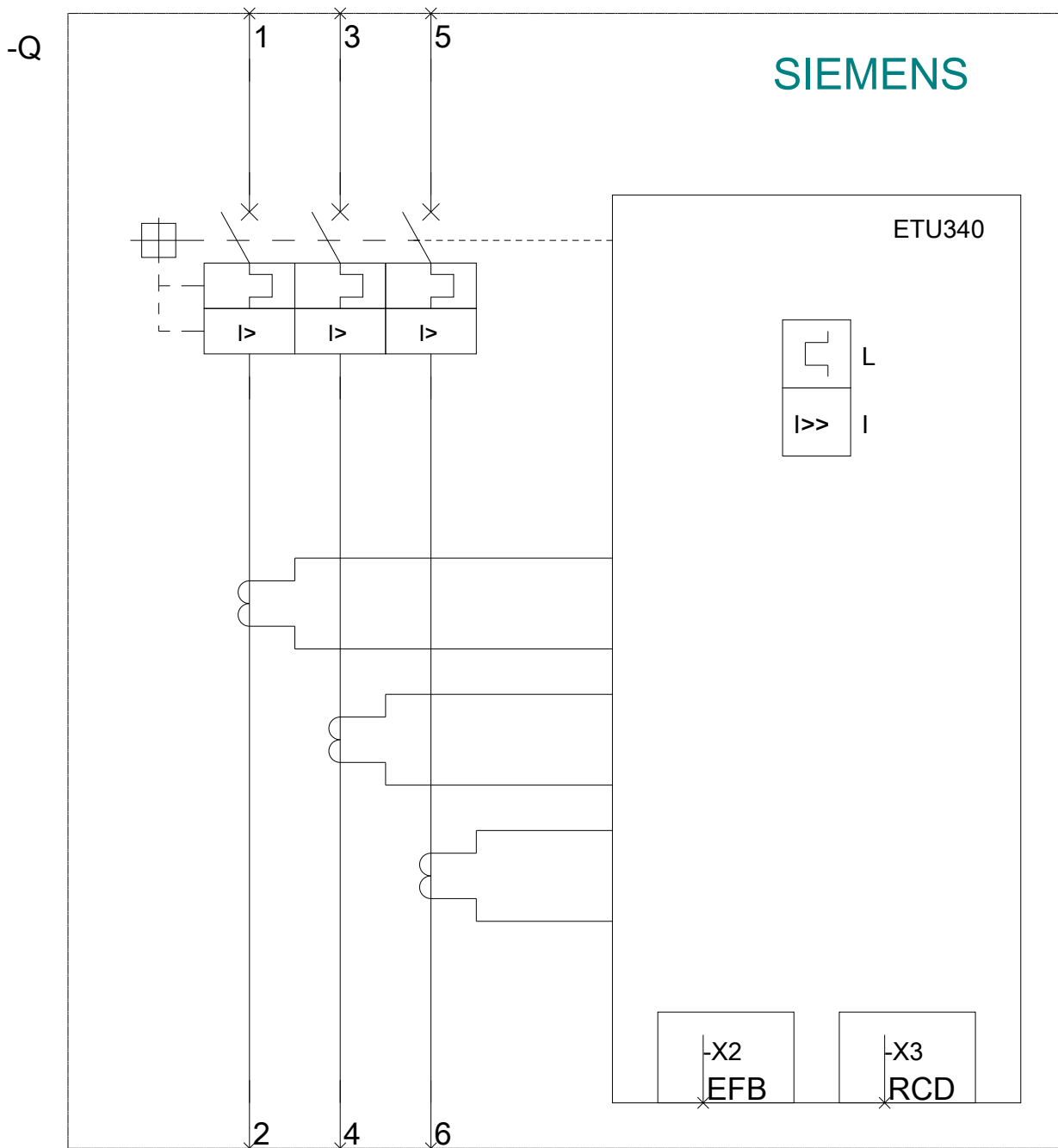
http://www.automation.siemens.com/bilddb/cax_en.aspx?mlfb=3VA2140-6HK36-0AA0

CAX-Online-Generator

<http://www.siemens.com/cax>

Tender specifications

<http://www.siemens.com/specifications>



last modified:

09/13/2019