

Indicator lights, compact, 22 mm, round, metal, clear, lens, smooth, with holder, Operating voltage 110 V AC, screw terminal



Product brand name	SIRIUS ACT
Product designation	Indicator lights
Design of the product	Compact unit
Product type designation	3SU1
Manufacturer's article number	
• of the supplied holder	3SU1550-0AA10-0AA0

Enclosure

Shape of the enclosure front	round
------------------------------	-------

Actuator

Product extension optional Light source	No
Color	
• of the actuating element	Clear
Material of the actuating element	plastic
Shape of the actuating element	round
Outer diameter of the actuating element	29.5 mm

Front ring

Product component front ring	No
------------------------------	----

Holder

Material of the holder	Metal
-------------------------------	-------

General technical data

Product component	Yes
<ul style="list-style-type: none"> • Light source 	
Insulation voltage	320 V
<ul style="list-style-type: none"> • rated value 	
Degree of pollution	3
Surge voltage resistance rated value	4 kV
Consumed current	20 mA
<ul style="list-style-type: none"> • maximum 	
Protection class IP	IP66, IP67, IP69(IP69K)
<ul style="list-style-type: none"> • of the terminal 	IP20
Degree of protection NEMA rating	NEMA 1, 2, 3, 3R, 4, 4X, 12, 13
Shock resistance	Sinusoidal half-wave 50 g / 11 ms
<ul style="list-style-type: none"> • acc. to IEC 60068-2-27 	
Operating period typical	100 000 h
Reference code acc. to DIN EN 81346-2	P
Reference code acc. to DIN EN 61346-2	P

Supply voltage

Type of voltage of the supply voltage	AC
<ul style="list-style-type: none"> • of the light source 	
Supply voltage of the light source at AC	110 V
<ul style="list-style-type: none"> • at 50 Hz rated value • at 60 Hz rated value 	110 V
Relative negative tolerance of the supply voltage	20 %
Relative positive tolerance of the supply voltage	20 %

Control circuit/ Control

Inrush current maximum	3 A
-------------------------------	-----

Connections/Terminals

Type of electrical connection	screw-type terminals
Type of connectable conductor cross-sections	
<ul style="list-style-type: none"> • solid with core end processing • solid without core end processing • finely stranded with core end processing • finely stranded without core end processing • at AWG conductors 	2x (0.5 ... 0.75 mm ²) 2x (1.0 ... 1.5 mm ²) 2x (0.5 ... 1.5 mm ²) 2x (1,0 ... 1,5 mm ²) 2x (18 ... 14)
Tightening torque of the screws in the bracket	1 ... 1.2 N·m
Tightening torque	
<ul style="list-style-type: none"> • with screw-type terminals 	0.8 ... 1 N·m

Lamp

Type of light source	LED
Color of the light source	white
Light intensity	900 ... 1 400 mcd

Ambient conditions

Ambient temperature	
<ul style="list-style-type: none"> during operation during storage 	<p>-25 ... +70 °C</p> <p>-40 ... +80 °C</p>
Environmental category during operation acc. to IEC 60721	3M6, 3S2, 3B2, 3K6 (with relative air humidity of 10 ... 95 %, no condensation in operation permitted for all devices behind front panel)

Installation/ mounting/ dimensions

Height	40 mm
Width	30 mm
Shape of the installation opening	round
Mounting diameter	22.3 mm
Positive tolerance of installation diameter	0.4 mm
Mounting height	12.9 mm
Installation width	29.5 mm
Installation depth	49.6 mm

Certificates/approvals

General Product Approval



Declaration of Conformity

[Miscellaneous](#)

Test Certificates

other

[Type Test Certificates/Test Report](#)

[Confirmation](#)

Further information

Information- and Downloadcenter (Catalogs, Brochures,...)

<http://www.siemens.com/industrial-controls/catalogs>

Industry Mall (Online ordering system)

<https://mall.industry.siemens.com/mall/en/en/Catalog/product?mlfb=3SU1251-6AC70-1AA0>

Cax online generator

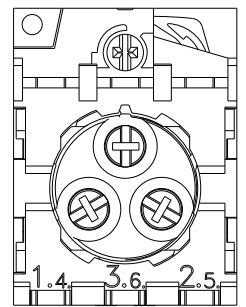
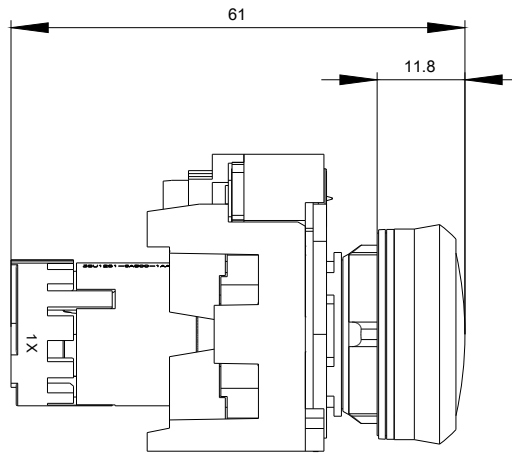
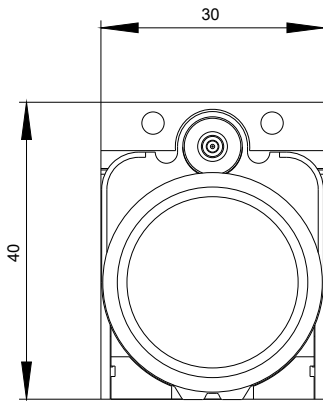
<http://support.automation.siemens.com/WW/CAXorder/default.aspx?lang=en&mlfb=3SU1251-6AC70-1AA0>

Service&Support (Manuals, Certificates, Characteristics, FAQs,...)

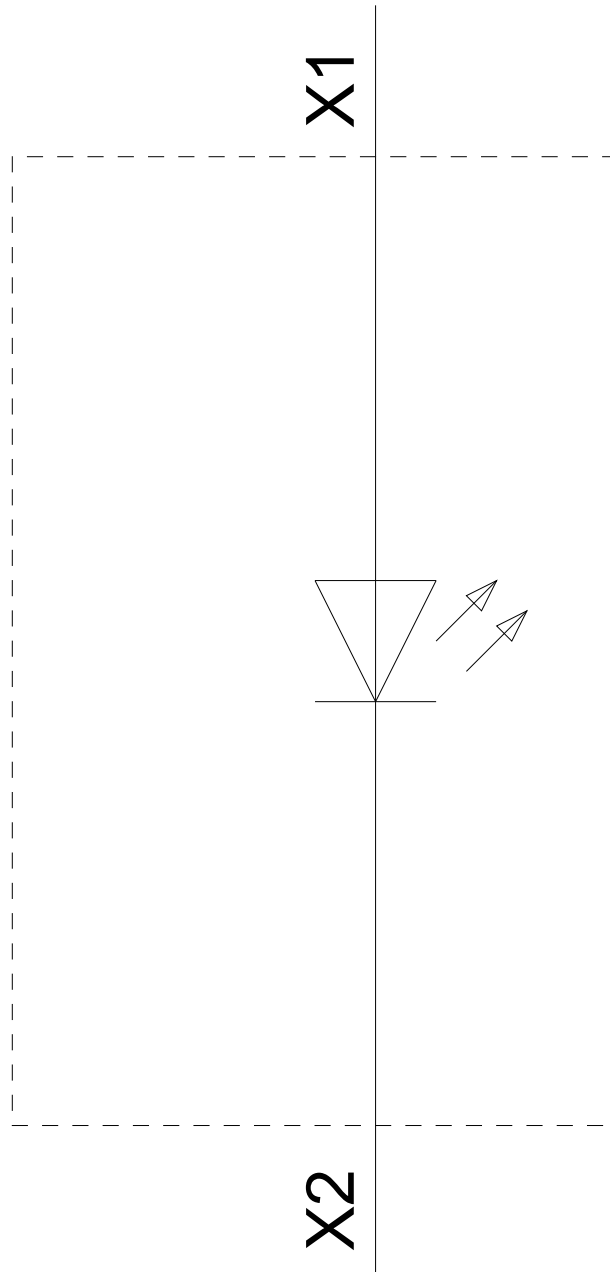
<https://support.industry.siemens.com/cs/ww/en/ps/3SU1251-6AC70-1AA0>

Image database (product images, 2D dimension drawings, 3D models, device circuit diagrams, EPLAN macros, ...)

http://www.automation.siemens.com/bilddb/cax_de.aspx?mlfb=3SU1251-6AC70-1AA0&lang=en



110 V AC
-P



last modified:

09/12/2019