

Capacitor contactor, AC-6b 33 kVA<sub>r</sub>, / 400 V 1 NO + 2 NC, 24 V DC  
3-pole, Size S0 screw terminal



<b>Product brand name</b>	SIRIUS
<b>Product designation</b>	capacitor contactors
<b>Product type designation</b>	3RT26
<b>General technical data</b>	
<b>Size of contactor</b>	S0
<b>Product extension</b>	
• Auxiliary switch	No
<b>Surge voltage resistance</b>	
• of main circuit rated value	6 kV
• of auxiliary circuit rated value	6 kV
<b>maximum permissible voltage for safe isolation</b>	
• between coil and main contacts acc. to EN 60947-1	400 V
<b>Protection class IP</b>	
• on the front	IP20
• of the terminal	IP20
<b>Shock resistance at rectangular impulse</b>	
• at DC	10g / 5 ms, 7,5g / 10 ms
<b>Shock resistance with sine pulse</b>	

<ul style="list-style-type: none"> <li>• at DC</li> </ul>	15g / 5 ms, 10g / 10 ms
<b>Mechanical service life (switching cycles)</b>	
<ul style="list-style-type: none"> <li>• of the contactor with added auxiliary switch block typical</li> </ul>	3 000 000
<b>Electrical endurance (switching cycles)</b>	150 000
<b>Reference code acc. to DIN EN 81346-2</b>	Q

Ambient conditions	
<b>Installation altitude at height above sea level</b>	
<ul style="list-style-type: none"> <li>• maximum</li> </ul>	2 000 m
<b>Ambient temperature</b>	
<ul style="list-style-type: none"> <li>• during operation</li> </ul>	-25 ... +60 °C
<ul style="list-style-type: none"> <li>• during storage</li> </ul>	-55 ... +80 °C

Main circuit	
<b>Number of NO contacts for main contacts</b>	3
<b>Number of NC contacts for main contacts</b>	0
<b>Operating current</b>	
<ul style="list-style-type: none"> <li>• at AC-6b at 690 V at ambient temperature 60 °C rated value</li> </ul>	47.6 A
<b>Operational reactive power at AC-6b</b>	
<ul style="list-style-type: none"> <li>• at 230 V at 50/60 Hz at ambient temperature 60 °C rated value</li> </ul>	6 ... 19 kvar
<ul style="list-style-type: none"> <li>• at 400 V at 50/60 Hz at ambient temperature 60 °C rated value</li> </ul>	11 ... 33 kvar
<ul style="list-style-type: none"> <li>• at 500 V at 50/60 Hz at ambient temperature 60 °C rated value</li> </ul>	14 ... 41 kvar
<ul style="list-style-type: none"> <li>• at 690 V at 50/60 Hz at ambient temperature 60 °C rated value</li> </ul>	19 ... 57 kvar
<b>No-load switching frequency</b>	
<ul style="list-style-type: none"> <li>• at DC</li> </ul>	500 1/h
<b>Operating frequency at AC-6b</b>	
<ul style="list-style-type: none"> <li>• at 230 V maximum</li> </ul>	100 1/h
<ul style="list-style-type: none"> <li>• at 240 V maximum</li> </ul>	100 1/h
<ul style="list-style-type: none"> <li>• at 400 V maximum</li> </ul>	100 1/h
<ul style="list-style-type: none"> <li>• at 480 V maximum</li> </ul>	70 1/h
<ul style="list-style-type: none"> <li>• at 500 V maximum</li> </ul>	65 1/h
<ul style="list-style-type: none"> <li>• at 600 V maximum</li> </ul>	45 1/h
<ul style="list-style-type: none"> <li>• at 690 V maximum</li> </ul>	36 1/h

Control circuit/ Control	
<b>Type of voltage</b>	DC
<b>Type of voltage of the control supply voltage</b>	DC
<b>Control supply voltage</b>	
<ul style="list-style-type: none"> <li>• at DC rated value</li> </ul>	24 V

<b>Operating range factor control supply voltage rated value of magnet coil at DC</b>	
• initial value	0.8
• Full-scale value	1.1
<b>Closing power of magnet coil at DC</b>	5.9 W
<b>Holding power of magnet coil at DC</b>	5.9 W
<b>Closing delay</b>	
• at DC	50 ... 170 ms
<b>Arcing time</b>	10 ... 15 ms
<b>Residual current of the electronics for control with signal &lt;0&gt;</b>	
• at DC at 24 V maximum permissible	16 mA

### Auxiliary circuit

<b>Number of NC contacts for auxiliary contacts</b>	2
• attachable	0
• instantaneous contact	2
<b>Number of NO contacts for auxiliary contacts</b>	1
• attachable	0
• instantaneous contact	1
<b>Operating current of auxiliary contacts at AC-12 maximum</b>	10 A
<b>Operating current of auxiliary contacts at AC-15</b>	
• at 230 V	6 A
• at 400 V	3 A
<b>Operating current of auxiliary contacts at DC-13</b>	
• at 24 V	6 A
• at 60 V	2 A
• at 110 V	1 A
• at 125 V	0.9 A
• at 220 V	0.3 A
<b>Contact reliability of auxiliary contacts</b>	0.00000001

### UL/CSA ratings

<b>Contact rating of auxiliary contacts according to UL</b>	A600 / Q600
---	-------------

### Short-circuit protection

<b>Design of the fuse link</b>	
• for short-circuit protection of the main circuit — with type of coordination 1 required	gG: 100 A (690 V, 50 kA)
• for short-circuit protection of the auxiliary switch required	gG: 10 A (500 V, 1 kA)

### Installation/ mounting/ dimensions

<b>Mounting position</b>	+/-180° rotation possible on vertical mounting surface; can be tilted forward and backward by +/- 22.5° on vertical mounting surface
<b>Mounting type</b>	screw and snap-on mounting onto 35 mm standard mounting rail according to DIN EN 50022
<b>Height</b>	150 mm
<b>Width</b>	45 mm
<b>Depth</b>	165 mm
<b>Required spacing</b>	
<ul style="list-style-type: none"> <li>• with side-by-side mounting <ul style="list-style-type: none"> <li>— at the side</li> </ul> </li> <li>• for grounded parts <ul style="list-style-type: none"> <li>— at the side</li> </ul> </li> </ul>	10 mm
	10 mm

### Connections/ Terminals

<b>Type of electrical connection</b>	
<ul style="list-style-type: none"> <li>• for main current circuit</li> <li>• for auxiliary and control current circuit</li> </ul>	screw-type terminals screw-type terminals
<b>Type of connectable conductor cross-sections</b>	
<ul style="list-style-type: none"> <li>• for main contacts <ul style="list-style-type: none"> <li>— solid</li> <li>— stranded</li> <li>— single or multi-stranded</li> <li>— finely stranded with core end processing</li> </ul> </li> <li>• at AWG conductors for main contacts</li> </ul>	1x (2.5 ... 25 mm <sup>2</sup> ) 2x (1 ... 2.5 mm <sup>2</sup> ), 2x (2.5 ... 10 mm <sup>2</sup> ) 1x (2,5 ... 25 mm <sup>2</sup> ) 1x (2.5 ... 16 mm <sup>2</sup> ) 1x (10 ... 4)
<b>Type of connectable conductor cross-sections</b>	
<ul style="list-style-type: none"> <li>• for auxiliary contacts <ul style="list-style-type: none"> <li>— solid</li> <li>— single or multi-stranded</li> <li>— finely stranded with core end processing</li> </ul> </li> <li>• at AWG conductors for auxiliary contacts</li> </ul>	2x (0.5 ... 1.5 mm <sup>2</sup> ), 2x (0.75 ... 2.5 mm <sup>2</sup> ), 2x 4 mm <sup>2</sup> 2x (0,5 ... 1,5 mm <sup>2</sup> ), 2x (0,75 ... 2,5 mm <sup>2</sup> ), 2x 4 mm <sup>2</sup> 2x (0.5 ... 1.5 mm <sup>2</sup> ), 2x (0.75 ... 2.5 mm <sup>2</sup> ) 2x (20 ... 16), 2x (18 ... 14), 2x 12
<b>Type of minimum connectable cross-section for main contacts at AC-6b</b>	
<ul style="list-style-type: none"> <li>• at 40 °C</li> <li>• at 60 °C</li> </ul>	1x 16 mm <sup>2</sup> 1x 25 mm <sup>2</sup>
AWG number as coded connectable conductor cross section for main contacts	10 ... 4

### Safety related data

<b>Product function</b>	
<ul style="list-style-type: none"> <li>• Mirror contact acc. to IEC 60947-4-1</li> <li>• positively driven operation acc. to IEC 60947-5-1</li> </ul>	No No
<b>Protection against electrical shock</b>	finger-safe

## Certificates/ approvals

General Product Approval	EMC	Declaration of Conformity
--------------------------	-----	---------------------------



Declaration of Conformity	Test Certificates	Marine / Shipping	other
---------------------------	-------------------	-------------------	-------

[Miscellaneous](#)

[Type Test Certificates/Test Report](#)



[Confirmation](#)

other



## Further information

**Information- and Downloadcenter (Catalogs, Brochures,...)**

[www.siemens.com/sirius/catalogs](http://www.siemens.com/sirius/catalogs)

**Industry Mall (Online ordering system)**

<https://mall.industry.siemens.com/mall/en/en/Catalog/product?mlfb=3RT2628-1BB45>

**Cax online generator**

<http://support.automation.siemens.com/WW/CAXorder/default.aspx?lang=en&mlfb=3RT2628-1BB45>

**Service&Support (Manuals, Certificates, Characteristics, FAQs,...)**

<https://support.industry.siemens.com/cs/ww/en/ps/3RT2628-1BB45>

**Image database (product images, 2D dimension drawings, 3D models, device circuit diagrams, EPLAN macros, ...)**

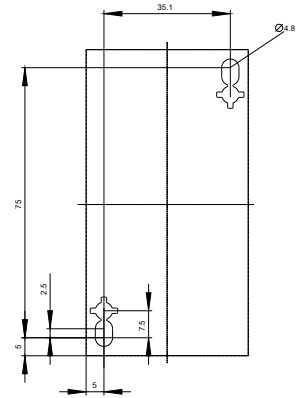
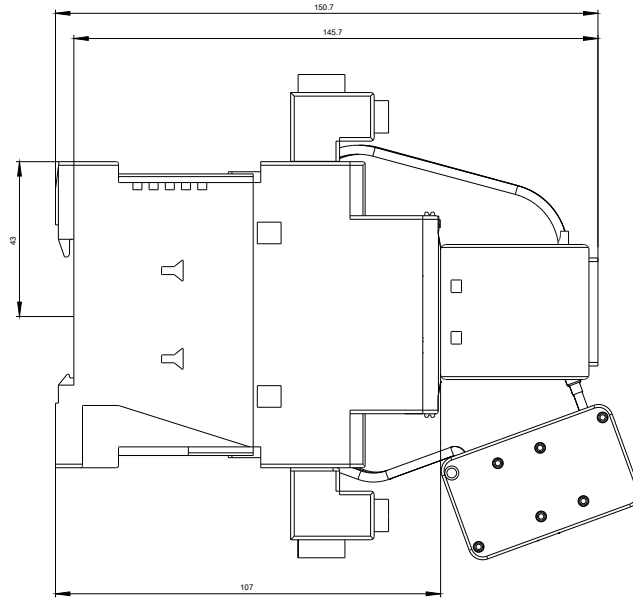
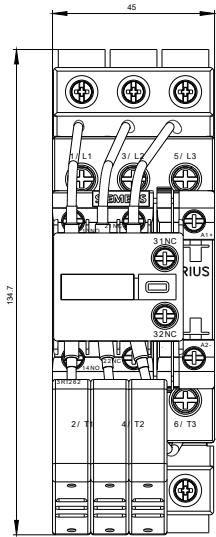
[http://www.automation.siemens.com/bilddb/cax\\_de.aspx?mlfb=3RT2628-1BB45&lang=en](http://www.automation.siemens.com/bilddb/cax_de.aspx?mlfb=3RT2628-1BB45&lang=en)

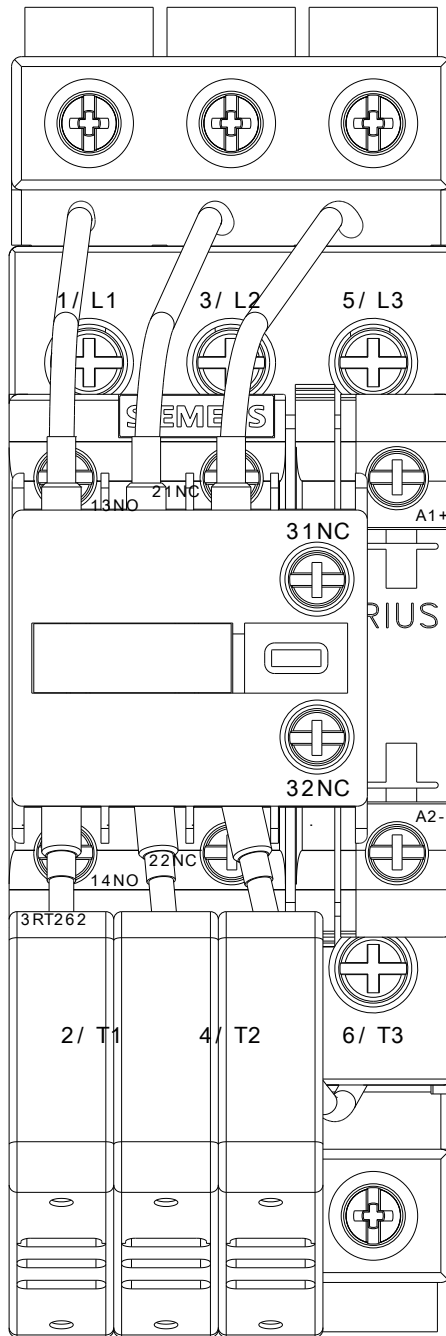
**Characteristic: Tripping characteristics, I<sup>2</sup>t, Let-through current**

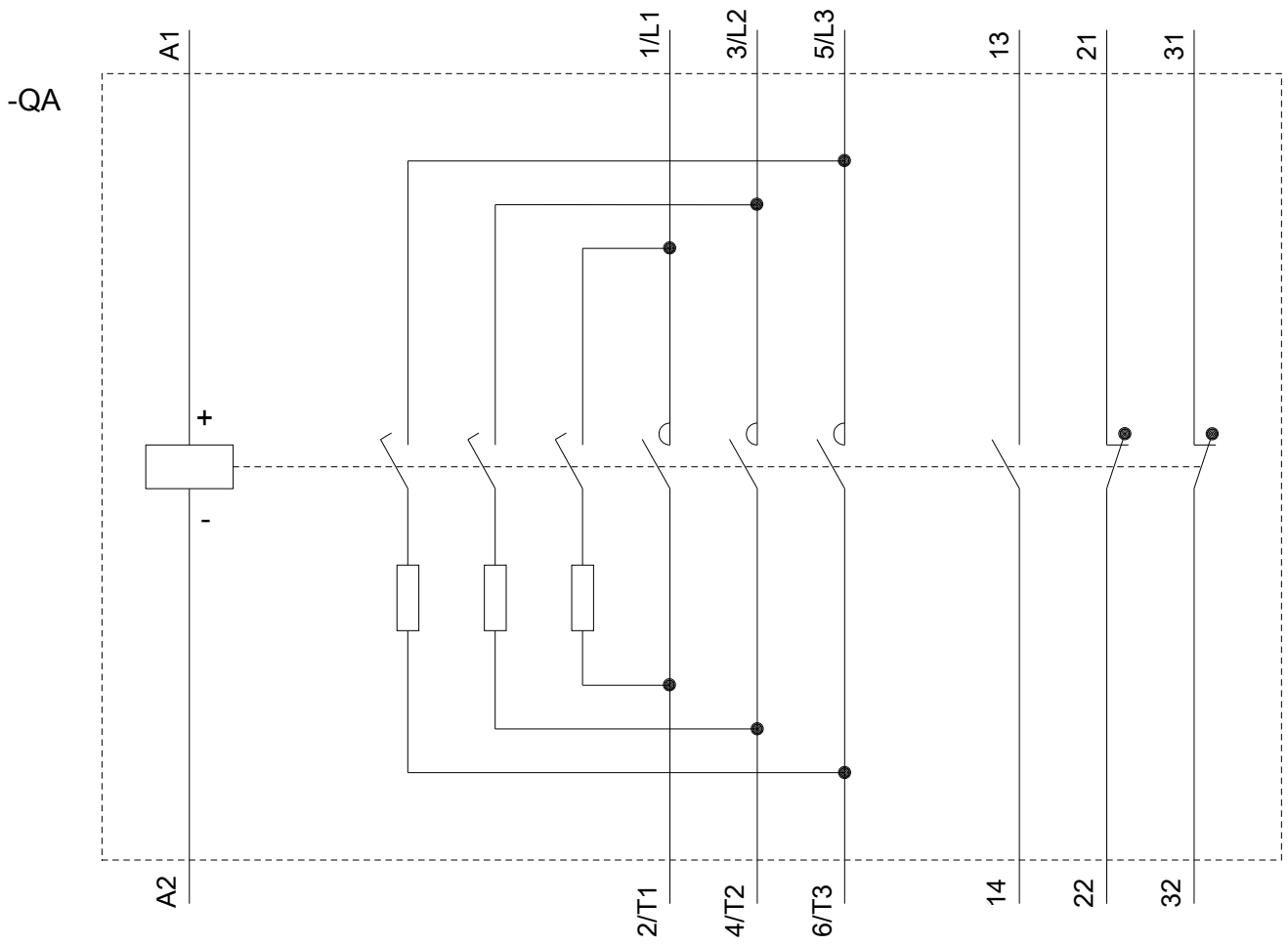
<https://support.industry.siemens.com/cs/ww/en/ps/3RT2628-1BB45/char>

**Further characteristics (e.g. electrical endurance, switching frequency)**

<http://www.automation.siemens.com/bilddb/index.aspx?view=Search&mlfb=3RT2628-1BB45&objecttype=14&gridview=view1>







last modified:

09/04/2019