

Capacitor contactor, AC-6b 33 kVAr, / 400 V 1 NO + 2 NC, 50-60 Hz  
AC 95-130 V DC 3-pole, Size S0 screw terminal



Product brand name	SIRIUS
Product designation	capacitor contactors
Product type designation	3RT26

General technical data	
Size of contactor	S0
Product extension	
• Auxiliary switch	No
Surge voltage resistance	
• of main circuit rated value	6 kV
• of auxiliary circuit rated value	6 kV
maximum permissible voltage for safe isolation	
• between coil and main contacts acc. to EN 60947-1	400 V
Protection class IP	
• on the front	IP20
• of the terminal	IP20
Shock resistance at rectangular impulse	
• at AC	8,3g / 5 ms, 5,3g / 10 ms
• at DC	10g / 5 ms, 7,5g / 10 ms

<b>Shock resistance with sine pulse</b>	
<ul style="list-style-type: none"> <li>• at AC</li> <li>• at DC</li> </ul>	13,5g / 5 ms, 8,3g / 10 ms 15g / 5 ms, 10g / 10 ms
<b>Mechanical service life (switching cycles)</b>	
<ul style="list-style-type: none"> <li>• of the contactor with added auxiliary switch block typical</li> </ul>	3 000 000
<b>Electrical endurance (switching cycles)</b>	150 000
<b>Reference code acc. to DIN EN 81346-2</b>	Q

#### Ambient conditions

<b>Installation altitude at height above sea level</b>	
<ul style="list-style-type: none"> <li>• maximum</li> </ul>	2 000 m
<b>Ambient temperature</b>	
<ul style="list-style-type: none"> <li>• during operation</li> <li>• during storage</li> </ul>	-25 ... +60 °C -55 ... +80 °C

#### Main circuit

<b>Number of NO contacts for main contacts</b>	3
<b>Number of NC contacts for main contacts</b>	0
<b>Operating current</b>	
<ul style="list-style-type: none"> <li>• at AC-6b at 690 V at ambient temperature 60 °C rated value</li> </ul>	47.6 A
<b>Operational reactive power at AC-6b</b>	
<ul style="list-style-type: none"> <li>• at 230 V at 50/60 Hz at ambient temperature 60 °C rated value</li> <li>• at 400 V at 50/60 Hz at ambient temperature 60 °C rated value</li> <li>• at 500 V at 50/60 Hz at ambient temperature 60 °C rated value</li> <li>• at 690 V at 50/60 Hz at ambient temperature 60 °C rated value</li> </ul>	6 ... 19 kvar 11 ... 33 kvar 14 ... 41 kvar 19 ... 57 kvar
<b>No-load switching frequency</b>	
<ul style="list-style-type: none"> <li>• at AC</li> <li>• at DC</li> </ul>	500 1/h 500 1/h
<b>Operating frequency at AC-6b</b>	
<ul style="list-style-type: none"> <li>• at 230 V maximum</li> <li>• at 240 V maximum</li> <li>• at 400 V maximum</li> <li>• at 480 V maximum</li> <li>• at 500 V maximum</li> <li>• at 600 V maximum</li> <li>• at 690 V maximum</li> </ul>	100 1/h 100 1/h 100 1/h 70 1/h 65 1/h 45 1/h 36 1/h

#### Control circuit/ Control

<b>Type of voltage</b>	AC/DC
------------------------	-------

Type of voltage of the control supply voltage	AC/DC
Control supply voltage at AC	
• at 50 Hz rated value	95 ... 130 V
• at 60 Hz rated value	95 ... 130 V
Control supply voltage frequency	
• 1 rated value	50 Hz
• 2 rated value	60 Hz
Control supply voltage	
• at DC rated value	95 ... 130 V
Operating range factor control supply voltage rated value of magnet coil at DC	
• initial value	0.7
• Full-scale value	1.3
Operating range factor control supply voltage rated value of magnet coil at AC	
• at 50 Hz	0.7 ... 1.3
• at 60 Hz	0.7 ... 1.3
Apparent pick-up power of magnet coil at AC	12 V·A
Inductive power factor with closing power of the coil	0.98
Apparent holding power of magnet coil at AC	1.8 V·A
Inductive power factor with the holding power of the coil	0.79
Closing power of magnet coil at DC	10.2 W
Holding power of magnet coil at DC	1.3 W
Closing delay	
• at AC	50 ... 70 ms
• at DC	50 ... 70 ms
Arcing time	10 ... 15 ms
Residual current of the electronics for control with signal <0>	
• at AC at 230 V maximum permissible	7 mA
<b>Auxiliary circuit</b>	
Number of NC contacts for auxiliary contacts	2
• attachable	0
• instantaneous contact	2
Number of NO contacts for auxiliary contacts	1
• attachable	0
• instantaneous contact	1
Operating current of auxiliary contacts at AC-12 maximum	10 A
Operating current of auxiliary contacts at AC-15	
• at 230 V	6 A
• at 400 V	3 A

<b>Operating current of auxiliary contacts at DC-13</b>	
• at 24 V	6 A
• at 60 V	2 A
• at 110 V	1 A
• at 125 V	0.9 A
• at 220 V	0.3 A
<b>Contact reliability of auxiliary contacts</b>	0.00000001

### UL/CSA ratings

<b>Contact rating of auxiliary contacts according to UL</b>	A600 / Q600
---	-------------

### Short-circuit protection

<b>Design of the fuse link</b>	
• for short-circuit protection of the main circuit — with type of coordination 1 required	gG: 100 A (690 V, 50 kA)
• for short-circuit protection of the auxiliary switch required	gG: 10 A (500 V, 1 kA)

### Installation/ mounting/ dimensions

<b>Mounting position</b>	+/-180° rotation possible on vertical mounting surface; can be tilted forward and backward by +/- 22.5° on vertical mounting surface
<b>Mounting type</b>	screw and snap-on mounting onto 35 mm standard mounting rail according to DIN EN 50022
<b>Height</b>	150 mm
<b>Width</b>	45 mm
<b>Depth</b>	165 mm
<b>Required spacing</b>	
• with side-by-side mounting — at the side	10 mm
• for grounded parts — at the side	10 mm

### Connections/ Terminals

<b>Type of electrical connection</b>	
• for main current circuit	screw-type terminals
• for auxiliary and control current circuit	screw-type terminals
<b>Type of connectable conductor cross-sections</b>	
• for main contacts — solid	1x (2.5 ... 25 mm <sup>2</sup> )
— stranded	2x (1 ... 2.5 mm <sup>2</sup> ), 2x (2.5 ... 10 mm <sup>2</sup> )
— single or multi-stranded	1x (2,5 ... 25 mm <sup>2</sup> )
— finely stranded with core end processing	1x (2.5 ... 16 mm <sup>2</sup> )
• at AWG conductors for main contacts	1x (10 ... 4)
<b>Type of connectable conductor cross-sections</b>	

<ul style="list-style-type: none"> <li>• for auxiliary contacts <ul style="list-style-type: none"> <li>— solid</li> <li>— single or multi-stranded</li> <li>— finely stranded with core end processing</li> </ul> </li> <li>• at AWG conductors for auxiliary contacts</li> </ul>	2x (0.5 ... 1.5 mm <sup>2</sup> ), 2x (0.75 ... 2.5 mm <sup>2</sup> ), 2x 4 mm <sup>2</sup> 2x (0,5 ... 1,5 mm <sup>2</sup> ), 2x (0,75 ... 2,5 mm <sup>2</sup> ), 2x 4 mm <sup>2</sup> 2x (0.5 ... 1.5 mm <sup>2</sup> ), 2x (0.75 ... 2.5 mm <sup>2</sup> ) 2x (20 ... 16), 2x (18 ... 14), 2x 12
<b>Type of minimum connectable cross-section for main contacts at AC-6b</b> <ul style="list-style-type: none"> <li>• at 40 °C</li> <li>• at 60 °C</li> </ul>	1x 16 mm <sup>2</sup> 1x 25 mm <sup>2</sup>
AWG number as coded connectable conductor cross section for main contacts	10 ... 4


### Safety related data

<b>Product function</b> <ul style="list-style-type: none"> <li>• Mirror contact acc. to IEC 60947-4-1</li> <li>• positively driven operation acc. to IEC 60947-5-1</li> </ul>	No No
<b>Protection against electrical shock</b>	finger-safe

### Certificates/ approvals

General Product Approval	EMC	Declaration of Conformity
 CCC  CSA  UL	 EAC  RCM	 EG-Konf.

Declaration of Conformity	Test Certificates	Marine / Shipping	other
<a href="#">Miscellaneous</a>	<a href="#">Type Test Certificates/Test Report</a>	 BUREAU VERITAS  RINA  RMRS	<a href="#">Confirmation</a>

other
 VDE

### Further information

Information- and Downloadcenter (Catalogs, Brochures,...)  
[www.siemens.com/sirius/catalogs](http://www.siemens.com/sirius/catalogs)

**Industry Mall (Online ordering system)**

<https://mall.industry.siemens.com/mall/en/en/Catalog/product?mlfb=3RT2628-1NF35>

**Cax online generator**

<http://support.automation.siemens.com/WW/CAXorder/default.aspx?lang=en&mlfb=3RT2628-1NF35>

**Service&Support (Manuals, Certificates, Characteristics, FAQs,...)**

<https://support.industry.siemens.com/cs/ww/en/ps/3RT2628-1NF35>

**Image database (product images, 2D dimension drawings, 3D models, device circuit diagrams, EPLAN macros, ...)**

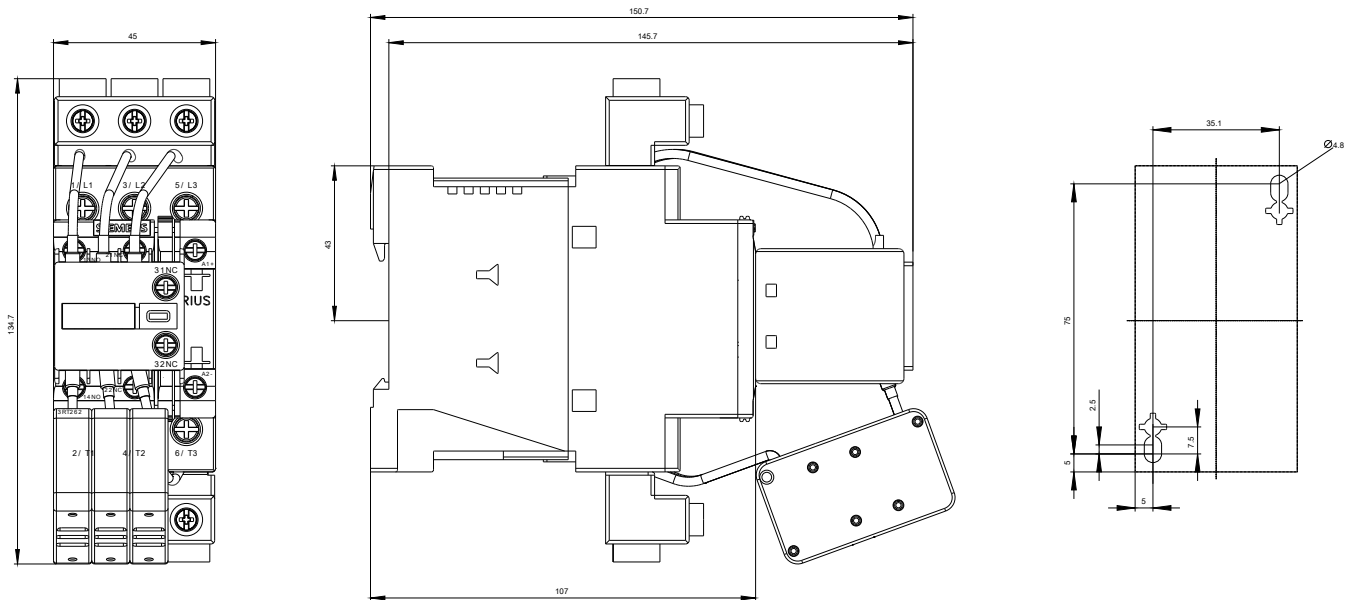
[http://www.automation.siemens.com/bilddb/cax\\_de.aspx?mlfb=3RT2628-1NF35&lang=en](http://www.automation.siemens.com/bilddb/cax_de.aspx?mlfb=3RT2628-1NF35&lang=en)

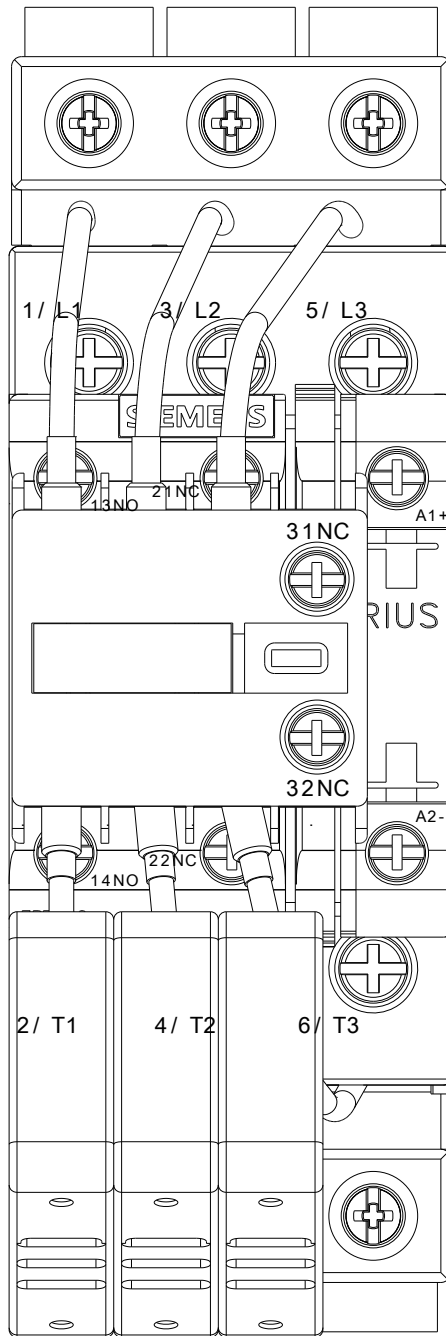
**Characteristic: Tripping characteristics, I<sup>2</sup>t, Let-through current**

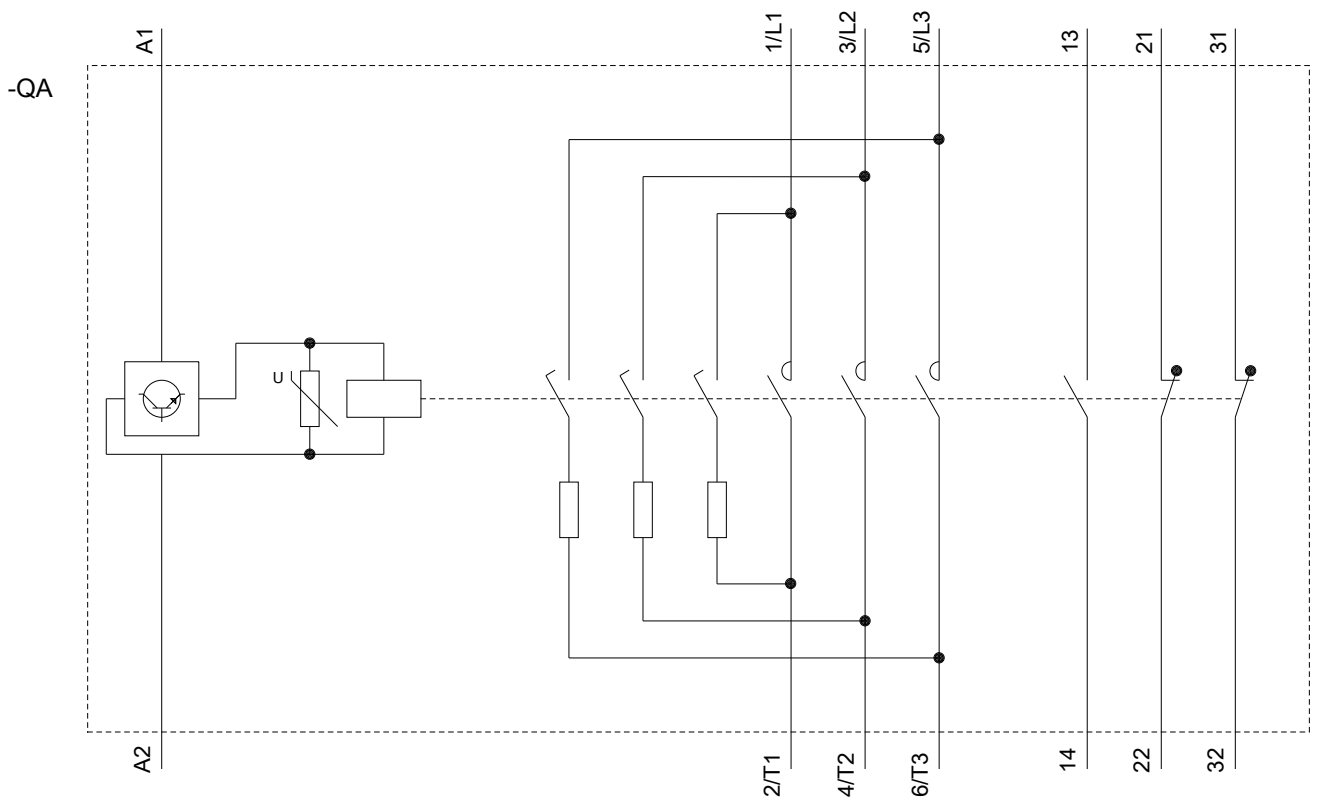
<https://support.industry.siemens.com/cs/ww/en/ps/3RT2628-1NF35/char>

**Further characteristics (e.g. electrical endurance, switching frequency)**

<http://www.automation.siemens.com/bilddb/index.aspx?view=Search&mlfb=3RT2628-1NF35&objectype=14&gridview=view1>







last modified:

09/04/2019