

circuit breaker 3VA2 IEC frame 630 breaking capacity class H
 $I_{cu}=85kA @ 415V$ 3-pole, line protection ETU350, LSI, $I_n=630A$
 overload protection $I_r=250A...630A$ short-circuit protection $I_{sd}=1.5...9$
 $\times I_r$, $I_i=9 \times I_n$ nut keeper kit 3 auxiliary switches HQ



| Model | |
|--|-----------------------------|
| Product brand name | SENTRON |
| Product designation | Molded case circuit breaker |
| Product version | Line protection |
| Design of the overcurrent release | ETU350 |
| Protective function of the overcurrent release | LSI |
| Number of poles | 3 |
| Design of the auxiliary release | Without auxiliary release |
| Auxiliary contact version | 3 auxiliary switches HQ |
| General technical data | |
| Rated insulation voltage U_i | 800 V |
| Max. rated operational voltage U_e with AC 50/60Hz | 690 V |
| Power loss [W] / maximum | 162 W |
| Active power loss / for rated value of the current / at AC / in hot operating state / per pole | 54 W |
| Latching - endurance | 15 000 |
| Electrical endurance (switching cycles) / at AC-1 / at 380/415 V 50/60 Hz | 4 000 |
| Neutral conductors / upgradeable/retrofitable | No |

| | |
|---------------------------------|---------|
| Ground fault monitoring version | Without |
| Product function | |
| • communication function | No |
| • Phase failure detection | No |
| • other measurement function | No |
| Net weight | 4.4 kg |

| Current | |
|--|-------|
| Max. rated operational current of the frame size | 630 A |
| Rated continuous current I _u | 630 A |
| Operating current | |
| • at 40 °C | 630 A |
| • at 45 °C | 612 A |
| • at 50 °C | 593 A |
| • at 55 °C | 575 A |
| • at 60 °C | 557 A |
| • at 65 °C | 538 A |
| • at 70 °C | 520 A |

| Switching capacity according to IEC 60947 | |
|--|--------|
| Switching capacity class of the circuit breaker | H |
| Maximum short-circuit current breaking capacity (I _{cu}) | |
| • at 240 V | 110 kA |
| • at 415 V | 85 kA |
| • at 440 V | 85 kA |
| • at 500 V | 55 kA |
| • at 690 V | 20 kA |
| Operational short-circuit current breaking capacity (I _{cs}) | |
| • at 240 V | 110 kA |
| • at 415 V | 85 kA |
| • at 440 V | 85 kA |
| • at 500 V | 55 kA |
| • at 690 V | 20 kA |
| Short-circuit current making capacity (I _{cm}) | |
| • at 240 V | 242 kA |
| • at 415 V | 187 kA |
| • at 440 V | 187 kA |
| • at 500 V | 121 kA |
| • at 690 V | 40 kA |

| Adjustable parameters | |
|---|-------|
| Adjustable response value current / I _r min. | 250 A |
| Adjustable response value current / I _r max. | 630 A |

| | |
|--|---------|
| Adjustable response value time / tr min. | 0.5 |
| Adjustable response value time / tr max. | 12 |
| Adjustable response value current / I _{sd} min. | 0 A |
| Adjustable response value current / I _{sd} max. | 0 A |
| Short-term delayed / tripping switchable / I _{2t} =ON/OFF | No |
| Adjustable response value current / I _i min. | 5 670 A |
| Adjustable response value current / I _i max. | 5 670 A |

Mechanical Design

| | |
|--------|--------|
| Height | 248 mm |
| Width | 138 mm |
| Depth | 110 mm |

Connections

| | |
|---|----------------|
| Arrangement of electrical connectors / for main current circuit | Front terminal |
| Type of electrical connection / for main current circuit | Lug terminal |
| Type of connectable conductor cross-section, connection screw, width x thickness , min. | 20 x 1 |
| Type of connectable conductor cross-section, connection screw, width x thickness , max. | 35 x 10 |

Auxiliary circuit

| | |
|---|----|
| Product component | |
| <ul style="list-style-type: none"> • undervoltage release | No |
| <ul style="list-style-type: none"> • Voltage trigger | No |
| <ul style="list-style-type: none"> • undervoltage release with leading contact | No |
| <ul style="list-style-type: none"> • Trip indicator | No |
| Number of CO contacts / for auxiliary contacts | 3 |

Accessories

| | |
|---|------------------------------------|
| Product extension / optional / motor drive | Yes |
| Manufacturer's article number | |
| <ul style="list-style-type: none"> • of the supplied basic switch | 3VA2463-6HN32-0AA0 |
| <ul style="list-style-type: none"> • of the integrated auxiliary switch/alarm switch | 3VA9988-0AA12 |
| <ul style="list-style-type: none"> • of the integrated auxiliary trip | 3VA9608-0BB24 |

Environmental conditions

| | |
|--|--------|
| Protection class IP / on the front | IP40 |
| Ambient temperature | |
| <ul style="list-style-type: none"> • during operation / minimum | -25 °C |
| <ul style="list-style-type: none"> • during operation / maximum | 70 °C |
| <ul style="list-style-type: none"> • during storage / minimum | -40 °C |
| <ul style="list-style-type: none"> • during storage / maximum | 80 °C |

Certificates

| | | |
|---------------------------------|------------|----------------------------------|
| General Product Approval | EMC | Declaration of Conformity |
|---------------------------------|------------|----------------------------------|



CCC



VDE

[Miscellaneous](#)

RCM



EG-Konf.

| | |
|--------------------------|--------------------------|
| Test Certificates | Shipping Approval |
|--------------------------|--------------------------|

[Miscellaneous](#)[Special Test Certificate](#)[Type Test Certificates/Test Report](#)

ABS

BUREAU
VERITAS

LRS

| | |
|--------------------------|--------------|
| Shipping Approval | other |
|--------------------------|--------------|



RMRS

[CCS / China Classification Society](#)[Manufacturer Declaration](#)[Miscellaneous](#)

Further information

Information- and Downloadcenter (Catalogs, Brochures,...)

<http://www.siemens.com/lowvoltage/catalogs>

Industry Mall (Online ordering system)

<https://mall.industry.siemens.com/mall/en/en/Catalog/product?mlfb=3VA2463-6HN32-0AD0>

Service&Support (Manuals, Certificates, Characteristics, FAQs,...)

<https://support.industry.siemens.com/cs/ww/en/ps/3VA2463-6HN32-0AD0>

Image database (product images, 2D dimension drawings, 3D models, device circuit diagrams, ...)

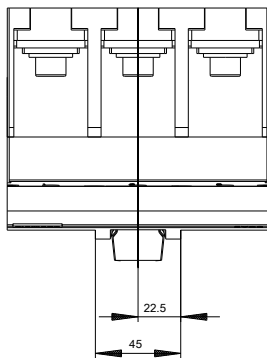
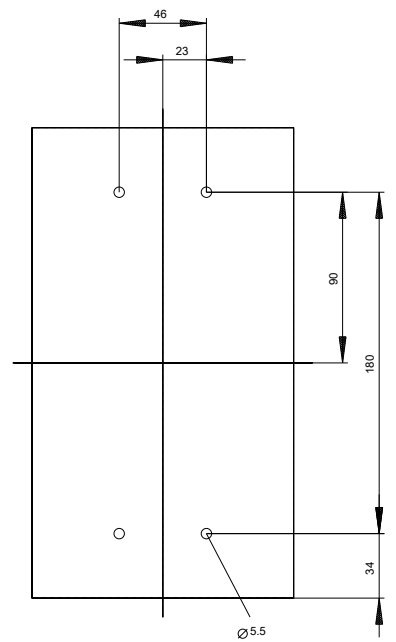
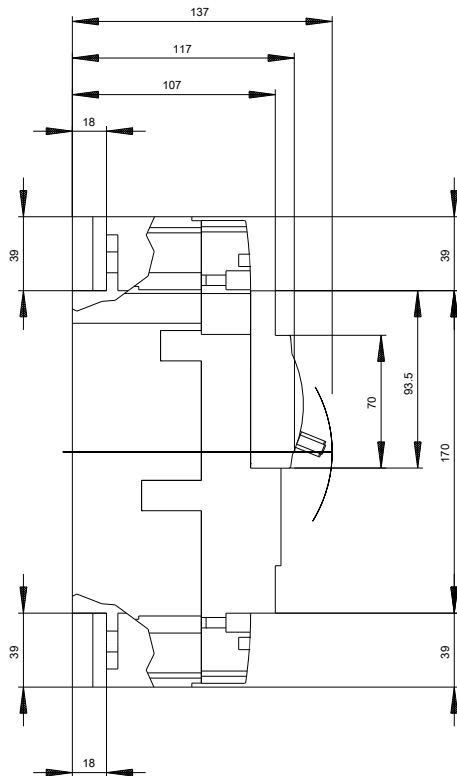
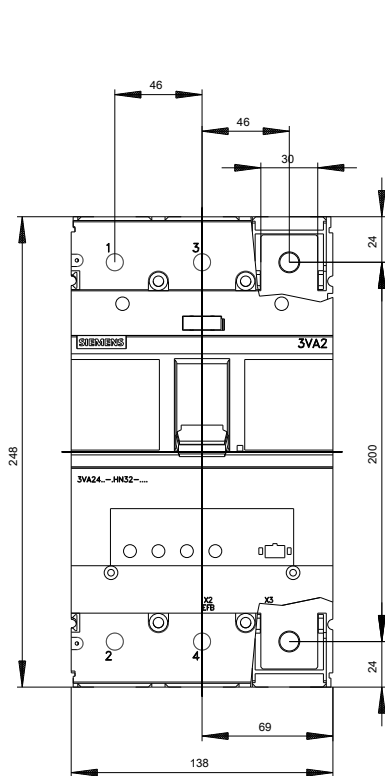
http://www.automation.siemens.com/bilddb/cax_en.aspx?mlfb=3VA2463-6HN32-0AD0

CAX-Online-Generator

<http://www.siemens.com/cax>

Tender specifications

<http://www.siemens.com/specifications>



last modified:

09/13/2019