

Potentiometer, compact, 22 mm, round, metal, black, 47k ohm, with holder, screw terminal



|                                                                            |                                    |
|----------------------------------------------------------------------------|------------------------------------|
| Product brand name                                                         | SIRIUS ACT                         |
| Product designation                                                        | Potentiometers                     |
| Design of the product                                                      | Compact unit                       |
| Product type designation                                                   | 3SU1                               |
| Manufacturer's article number                                              |                                    |
| <ul style="list-style-type: none"> <li>• of the supplied holder</li> </ul> | <a href="#">3SU1550-0AA10-0AA0</a> |

### Enclosure

|                          |   |
|--------------------------|---|
| Number of command points | 1 |
|--------------------------|---|

### Actuator

|                                                                              |                                                        |
|------------------------------------------------------------------------------|--------------------------------------------------------|
| Design of the operating mechanism                                            | Rotary knob                                            |
| Manner of function of the actuating element                                  | Infinitely variable adjustment, angle of rotation 280° |
| Color                                                                        |                                                        |
| <ul style="list-style-type: none"> <li>• of the actuating element</li> </ul> | black                                                  |
| Material of the actuating element                                            | plastic                                                |
| Shape of the actuating element                                               | round                                                  |
| Outer diameter of the actuating element                                      | 30 mm                                                  |
| Maximum deflection angle [°]                                                 | 280°                                                   |

### Front ring

|                              |    |
|------------------------------|----|
| Product component front ring | No |
|------------------------------|----|

### Holder

|                        |       |
|------------------------|-------|
| Material of the holder | Metal |
|------------------------|-------|

### General technical data

|                                                                          |                                   |
|--------------------------------------------------------------------------|-----------------------------------|
| <b>Insulation voltage</b>                                                |                                   |
| <ul style="list-style-type: none"> <li>rated value</li> </ul>            | 500 V                             |
| <b>Degree of pollution</b>                                               | 3                                 |
| <b>Protection class IP</b>                                               | IP66, IP67, IP69(IP69K)           |
| <ul style="list-style-type: none"> <li>of the terminal</li> </ul>        | IP20                              |
| <b>Degree of protection NEMA rating</b>                                  | NEMA 1, 2, 3, 3R, 4, 4X, 12, 13   |
| <b>Shock resistance</b>                                                  |                                   |
| <ul style="list-style-type: none"> <li>acc. to IEC 60068-2-27</li> </ul> | Sinusoidal half-wave 50 g / 11 ms |
| <b>Mechanical service life (switching cycles)</b>                        |                                   |
| <ul style="list-style-type: none"> <li>typical</li> </ul>                | 25 000                            |
| <b>Reference code acc. to DIN EN 81346-2</b>                             | S                                 |
| <b>Reference code acc. to DIN EN 61346-2</b>                             | S                                 |

### Connections/Terminals

|                                                                                               |                                    |
|-----------------------------------------------------------------------------------------------|------------------------------------|
| <b>Type of electrical connection</b>                                                          | screw-type terminals               |
| <b>Type of connectable conductor cross-sections</b>                                           |                                    |
| <ul style="list-style-type: none"> <li>solid with core end processing</li> </ul>              | 2x (0.5 ... 0.75 mm <sup>2</sup> ) |
| <ul style="list-style-type: none"> <li>solid without core end processing</li> </ul>           | 2x (1.0 ... 1.5 mm <sup>2</sup> )  |
| <ul style="list-style-type: none"> <li>finely stranded with core end processing</li> </ul>    | 2x (0.5 ... 1.5 mm <sup>2</sup> )  |
| <ul style="list-style-type: none"> <li>finely stranded without core end processing</li> </ul> | 2x (1,0 ... 1,5 mm <sup>2</sup> )  |
| <ul style="list-style-type: none"> <li>at AWG conductors</li> </ul>                           | 2x (18 ... 14)                     |
| <b>Tightening torque of the screws in the bracket</b>                                         | 1 ... 1.2 N·m                      |
| <b>Tightening torque</b>                                                                      |                                    |
| <ul style="list-style-type: none"> <li>with screw-type terminals</li> </ul>                   | 0.8 ... 1 N·m                      |

### Ambient conditions





|                                                                    |                                                                                                                                                |
|--------------------------------------------------------------------|------------------------------------------------------------------------------------------------------------------------------------------------|
| <b>Ambient temperature</b>                                         |                                                                                                                                                |
| <ul style="list-style-type: none"> <li>during operation</li> </ul> | -25 ... +70 °C                                                                                                                                 |
| <ul style="list-style-type: none"> <li>during storage</li> </ul>   | -40 ... +80 °C                                                                                                                                 |
| Environmental category during operation acc. to IEC 60721          | 3M6, 3S2, 3B2, 3C3, 3K6 (with relative air humidity of 10 ... 95 %, no condensation in operation permitted for all devices behind front panel) |

### Installation/ mounting/ dimensions

|                                                    |         |
|----------------------------------------------------|---------|
| <b>Height</b>                                      | 40 mm   |
| <b>Width</b>                                       | 30 mm   |
| <b>Shape of the installation opening</b>           | round   |
| <b>Mounting diameter</b>                           | 22.3 mm |
| <b>Positive tolerance of installation diameter</b> | 0.4 mm  |
| <b>Mounting height</b>                             | 19.4 mm |

|                    |       |
|--------------------|-------|
| Installation width | 30 mm |
| Installation depth | 46 mm |

### Certificates/approvals

| General Product Approval                                                                 |                                                                                         | Declaration of Conformity                                                         |                                                                                               | Test Certificates                                                                   |
|------------------------------------------------------------------------------------------|-----------------------------------------------------------------------------------------|-----------------------------------------------------------------------------------|-----------------------------------------------------------------------------------------------|-------------------------------------------------------------------------------------|
| <br>CSA | <br>UL |  | <br>EG-Konf. | <a href="#">Miscellaneous</a><br><a href="#">Type Test Certificates/Test Report</a> |

### other

[Confirmation](#)

### Further information

**Information- and Downloadcenter (Catalogs, Brochures,...)**

<http://www.siemens.com/industrial-controls/catalogs>

**Industry Mall (Online ordering system)**

<https://mall.industry.siemens.com/mall/en/en/Catalog/product?mlfb=3SU1250-2PT10-1AA0>

**Cax online generator**

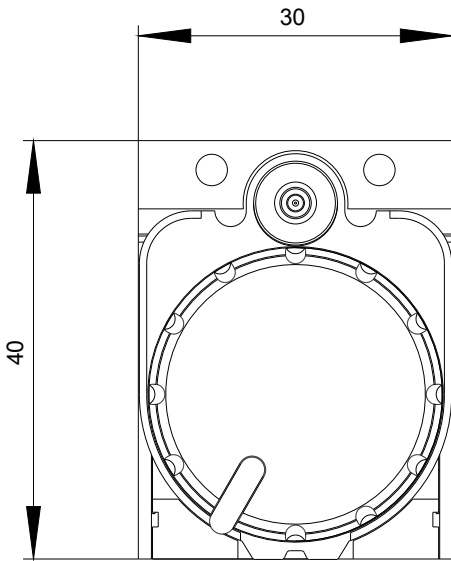
<http://support.automation.siemens.com/WW/CAXorder/default.aspx?lang=en&mlfb=3SU1250-2PT10-1AA0>

**Service&Support (Manuals, Certificates, Characteristics, FAQs,...)**

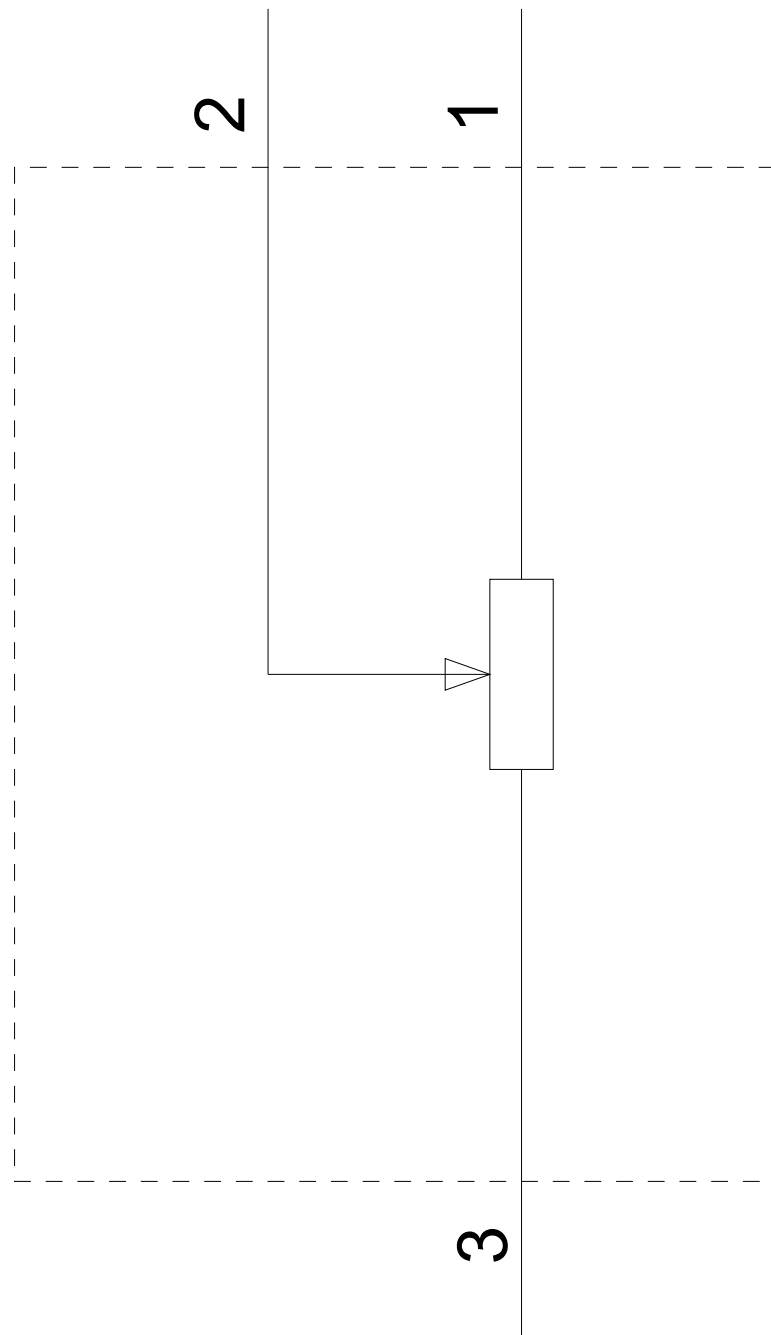
<https://support.industry.siemens.com/cs/ww/en/ps/3SU1250-2PT10-1AA0>

**Image database (product images, 2D dimension drawings, 3D models, device circuit diagrams, EPLAN macros, ...)**

[http://www.automation.siemens.com/bilddb/cax\\_de.aspx?mlfb=3SU1250-2PT10-1AA0&lang=en](http://www.automation.siemens.com/bilddb/cax_de.aspx?mlfb=3SU1250-2PT10-1AA0&lang=en)



$-R$   
47 kOhm



last modified:

09/12/2019