

Supply terminal 16 - 95 mm<sup>2</sup>, for size NH000 with Box terminal, accessory for fuse switch disconnecter 3NP1 Contains 3 terminals



## Model

Product brand name

SETRON

## Certificates

[General Product Approval](#)

[Declaration of Conformity](#)

[Miscellaneous](#)



EG-Konf.

## Further information

**Information- and Downloadcenter (Catalogs, Brochures,...)**

<http://www.siemens.com/lowvoltage/catalogs>

**Industry Mall (Online ordering system)**

<https://mall.industry.siemens.com/mall/en/en/Catalog/product?mlfb=3NP1923-1BD00>

**Service&Support (Manuals, Certificates, Characteristics, FAQs,...)**

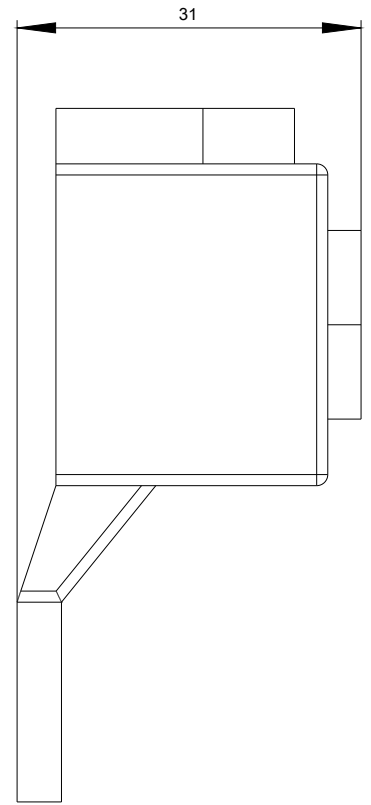
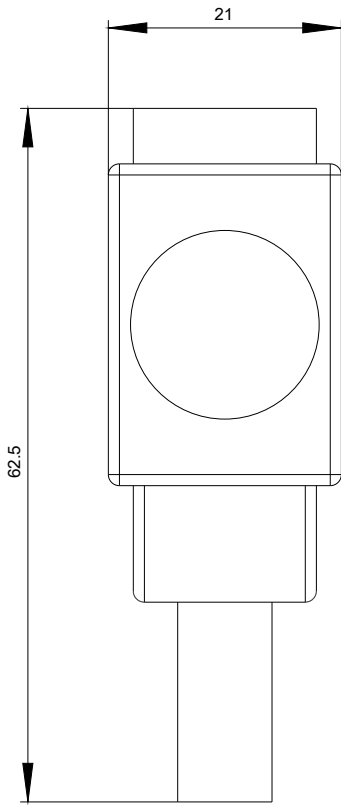
<https://support.industry.siemens.com/cs/ww/en/ps/3NP1923-1BD00>

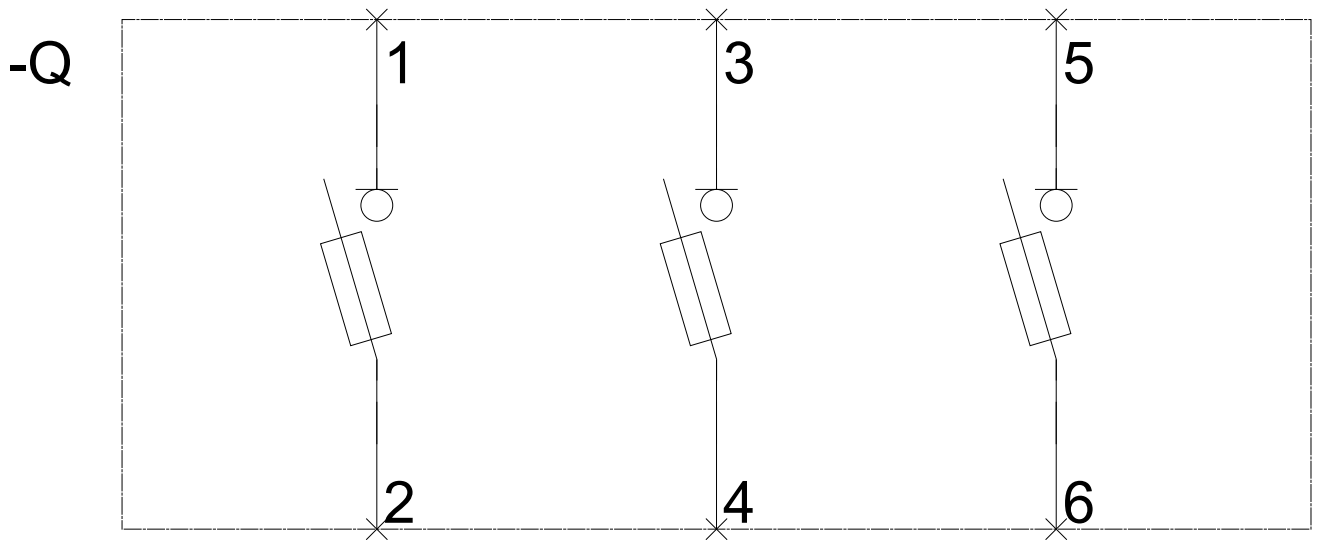
**Image database (product images, 2D dimension drawings, 3D models, device circuit diagrams, ...)**

[http://www.automation.siemens.com/bilddb/cax\\_en.aspx?mlfb=3NP1923-1BD00](http://www.automation.siemens.com/bilddb/cax_en.aspx?mlfb=3NP1923-1BD00)

**CAX-Online-Generator**

<http://www.siemens.com/cax>





**-CB**

