

SITOR fuse holder 400 A 690 V 1-pole with bolt terminal with fixing dimension 80 mm



Model	
Product brand name	SENTRON
Product designation	LV HRC fuse system
Design of the thread / of the connection screw	M10
General technical data	
Number of poles	1
Usage category	Without
Supply voltage	
Current / at AC / rated value	400 A
Supply voltage	
• at AC / rated value	690 V
• at DC	690 V
Current	
Tripping residual / rated value / derated current / at 40 Cel	368 A
Product details	
Product component / Swivel mechanism	No

## Connections

Tightening torque / with screw-type terminals	10 N·m
Type of electrical connection	for mounting on mounting plate
• for main current circuit	Stud terminal

## Mechanical Design

Height	111.7 mm
Width	36 mm
Mounting type	fixed mounting
Mounting type	No
• bus-mounting	No

## Certificates

Reference code	
• acc. to DIN EN 61346-2	F
• acc. to DIN EN 81346-2	F

## Further information

### Information- and Downloadcenter (Catalogs, Brochures,...)

<http://www.siemens.com/lowvoltage/catalogs>

### Industry Mall (Online ordering system)

<https://mall.industry.siemens.com/mall/en/en/Catalog/product?mlfb=3NH5323>

### Service&Support (Manuals, Certificates, Characteristics, FAQs,...)

<https://support.industry.siemens.com/cs/ww/en/ps/3NH5323>

### Image database (product images, 2D dimension drawings, 3D models, device circuit diagrams, ...)

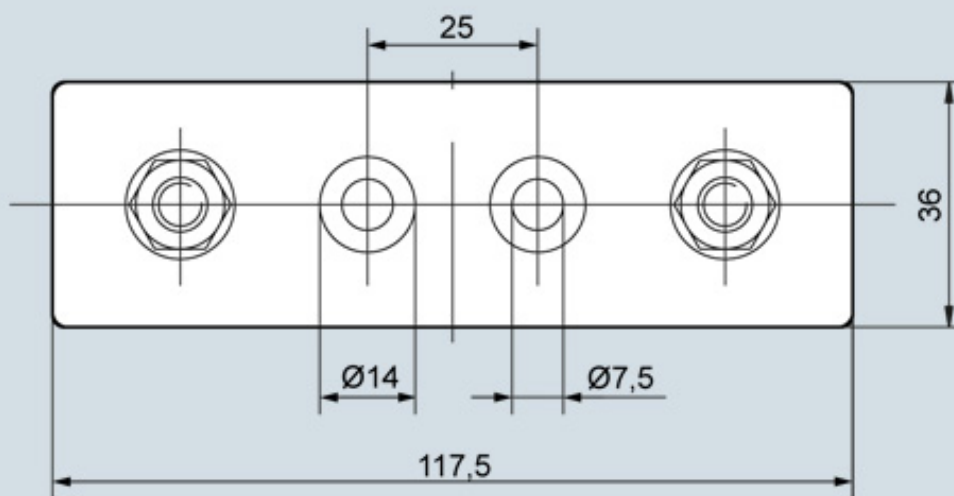
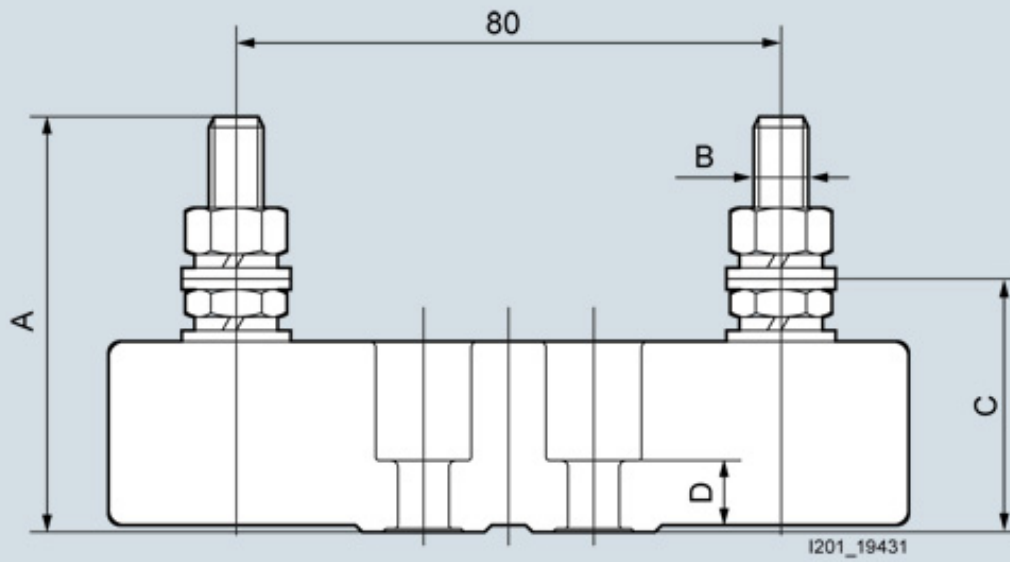
[http://www.automation.siemens.com/bilddb/cax\\_en.aspx?mlfb=3NH5323](http://www.automation.siemens.com/bilddb/cax_en.aspx?mlfb=3NH5323)

### CAX-Online-Generator

<http://www.siemens.com/cax>

### Tender specifications

<http://www.siemens.com/specifications>



Type	Dimensions			
	A	B	C	D
3NH5023	59	M8	35,5	11
3NH5323	64	M10	38	11