

SITOR fuse link, with Bolt-on links, In: 100 A, aR, Un AC: 690 V, Un DC: 440 V, without indicator



Model	
Product brand name	SENTRON
Product designation	SITOR fuse link
Design of the product	With bolt-on links
Design of an identification indicator	Without indicator
Design of the switching contact	With bolt-on links, silver-plated
Design of the fuse link	SITOR, BS design
General technical data	
Size of fuse system / acc. to DIN EN 60269-1	Other (BS)
Operating class of the fuse link	aR
Supply voltage	
Type of voltage	AC/DC
Current / at AC / rated value	100 A
Supply voltage	
• at AC / rated value	690 V
• at DC	440 V
Product details	
Product description	Not non-interchangeable

Mechanical Design

Mounting position Any, preferably vertical

Environmental conditions

Ambient temperature -20 ... +50 °C

Environmental category -20 to +50 at 95% relative humidity

Certificates

Reference code

- acc. to DIN EN 61346-2
- acc. to DIN EN 81346-2

F

F

General Product Approval

Declaration of Conformity



UR

[Miscellaneous](#)



EG-Konf.

Further information

Information- and Downloadcenter (Catalogs, Brochures,...)

<http://www.siemens.com/lowvoltage/catalogs>

Industry Mall (Online ordering system)

<https://mall.industry.siemens.com/mall/en/en/Catalog/product?mlfb=3NC2600-0MK>

Service&Support (Manuals, Certificates, Characteristics, FAQs,...)

<https://support.industry.siemens.com/cs/ww/en/ps/3NC2600-0MK>

Image database (product images, 2D dimension drawings, 3D models, device circuit diagrams, ...)

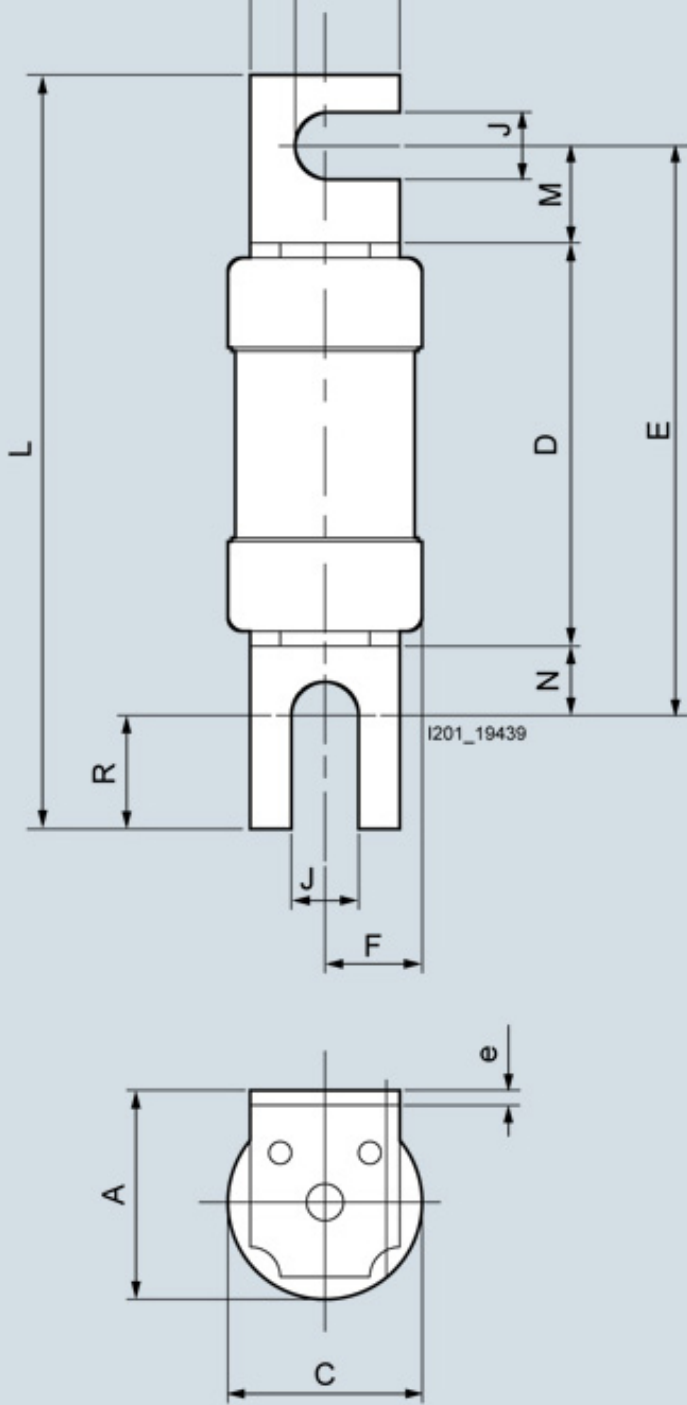
http://www.automation.siemens.com/bilddb/cax_en.aspx?mlfb=3NC2600-0MK

CAX-Online-Generator

<http://www.siemens.com/cax>

Tender specifications

<http://www.siemens.com/specifications>



I201_19439

Type	Dimensions											
	ØC	A	D	E	F	H	K	L	M	N	R	e
3NC18..-0MK	18	19	52,2	71,5	9	12	9	88	12	7	14	1,4
3NC26..-0MK	26	29	53,5	75,8	13	19	14	103	13	9,3	19,7	2

