

Pedal switch 2 change-over contacts 2-pedal, without protective cover



Product designation	momentary-contact foot switch
Suitability for use safety switch	No

General technical data

Protection class IP	IP65
Reference code acc. to DIN EN 81346-2	S
Reference code acc. to DIN EN 61346-2	S
Number of switching steps	1
Number of the actuation pedals	2
Number of NC contacts for auxiliary contacts	0
Number of NO contacts for auxiliary contacts	0
Number of CO contacts for auxiliary contacts	2
Operating current at AC-15	
• at 230 V rated value	5 A

Enclosure

Material of the enclosure	plastic with total insulation
Color	
• of the enclosure	black
• of top part of the enclosure	black

Actuator	
Product feature	
• interlock	No
• Latching	No
Cable entry type	cable, 3 m

Installation/ mounting/ dimensions	
Mounting type	screw fixing
Height	108 mm
Width	212 mm
Depth	34 mm

Certificates/ approvals

General Product Approval	Declaration of Conformity
--------------------------	---------------------------



[Miscellaneous](#)

Test Certificates	Marine / Shipping	other
-------------------	-------------------	-------

[Miscellaneous](#)



[Confirmation](#)

Further information

Information- and Downloadcenter (Catalogs, Brochures,...)

www.siemens.com/sirius/catalogs

Industry Mall (Online ordering system)

<https://mall.industry.siemens.com/mall/en/en/Catalog/product?mlfb=3SE3934-5CB20>

Cax online generator

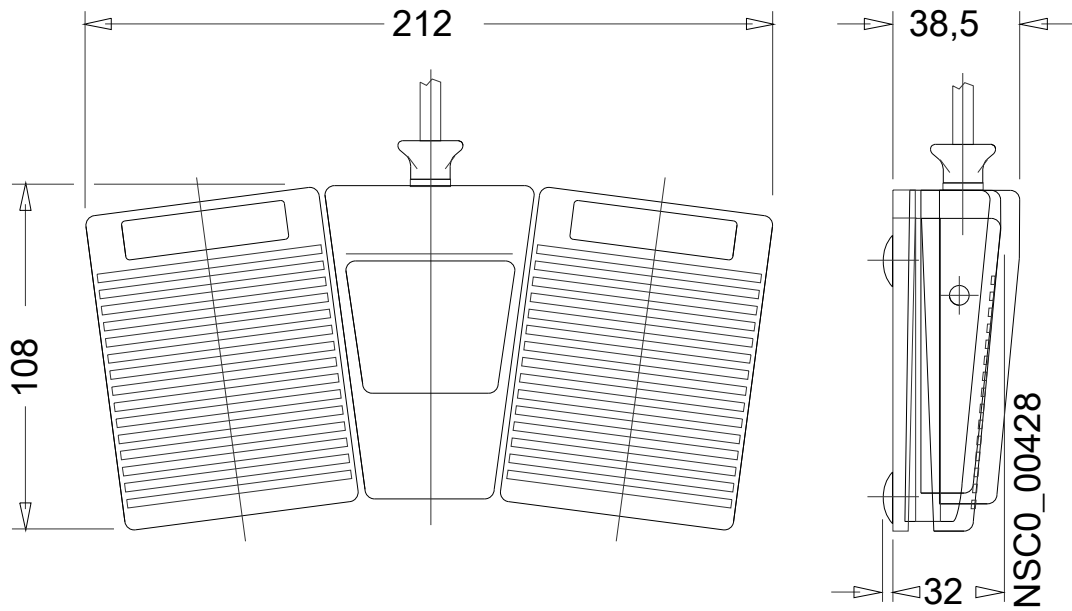
<http://support.automation.siemens.com/WW/CAXorder/default.aspx?lang=en&mlfb=3SE3934-5CB20>

Service&Support (Manuals, Certificates, Characteristics, FAQs,...)

<https://support.industry.siemens.com/cs/ww/en/ps/3SE3934-5CB20>

Image database (product images, 2D dimension drawings, 3D models, device circuit diagrams, EPLAN macros, ...)

http://www.automation.siemens.com/bilddb/cax_de.aspx?mlfb=3SE3934-5CB20&lang=en



last modified:

09/12/2019