

Output coupler Optocoupler 1 NO transistor, 110-230 V AC/DC  
 Output max. 30 V DC, 3 A short circuit-proof Enclosure width 6.2 mm  
 Spring-type terminal (push-in) Thermal current 3A



Product brand name	SIRIUS
Product category	SIRIUS 3RQ3 coupling relays in slim design
Product designation	Coupling relays with semiconductor output (not plug-in)
Design of the product	Output coupling link
Product type designation	3RQ3

General technical data	
Display version LED	Yes
Product component	
• Relay output	No
• semi-conductor output	Yes
Consumed active power	0.3 W
Surge voltage resistance rated value	4 kV
Protection class IP	IP20
Shock resistance	
• acc. to IEC 60068-2-27	sinusoidal half-wave 15g / 11 ms
Switching frequency	10 Hz
Thermal current	3 A
Reference code acc. to DIN EN 81346-2	K
Reference code acc. to DIN EN 61346-2	K

Control circuit/ Control	
<b>Control supply voltage at AC</b>	
• at 50 Hz rated value	110 ... 230 V
• at 60 Hz rated value	110 ... 230 V
<b>Control supply voltage frequency</b>	
• 1 rated value	50 Hz
• 2 rated value	60 Hz
<b>Control supply voltage at DC</b>	
• rated value	110 ... 230 V
<b>Operating range factor control supply voltage rated value at DC</b>	
• initial value	0.7
• Full-scale value	1.1
<b>Operating range factor control supply voltage rated value at AC at 50 Hz</b>	
• initial value	0.7
• Full-scale value	1.1
<b>Operating range factor control supply voltage rated value at AC at 60 Hz</b>	
• initial value	0.7
• Full-scale value	1.1
<b>Switch-on delay time</b>	
• at AC maximum	3 ms
• at DC maximum	2 ms
<b>Off-delay time</b>	10 ms
<b>Product component Plug-in socket</b>	No
Auxiliary circuit	
<b>Type of switching contact</b>	NO contact
<b>Number of NO contacts for auxiliary contacts</b>	1
Main circuit	
<b>Type of voltage</b>	AC/DC
Inputs/ Outputs	
<b>Property of the output Short-circuit proof</b>	Yes
Outputs	
<b>Ampacity of the semiconductor output at DC</b>	1 mA ... 3 A
Electromagnetic compatibility	
<b>EMC emitted interference</b>	
• acc. to IEC 60947-1	ambience A (industrial sector)
<b>EMI immunity</b>	
• acc. to IEC 60947-1	corresponds to degree of severity 3
<b>Conducted interference</b>	

<ul style="list-style-type: none"> <li>• due to burst acc. to IEC 61000-4-4</li> </ul>	2 kV
<ul style="list-style-type: none"> <li>• due to conductor-earth surge acc. to IEC 61000-4-5</li> </ul>	2 kV
<ul style="list-style-type: none"> <li>• due to conductor-conductor surge acc. to IEC 61000-4-5</li> </ul>	1 kV
<b>Field-bound parasitic coupling acc. to IEC 61000-4-3</b>	10 V/m
<b>Electrostatic discharge acc. to IEC 61000-4-2</b>	6 kV contact discharge / 8 kV air discharge

## Display

<b>Display version</b>	
<ul style="list-style-type: none"> <li>• as status display by LED</li> </ul>	LED green

## Connections/ Terminals

<b>Product function</b>	
<ul style="list-style-type: none"> <li>• removable terminal</li> </ul>	No
<b>Type of electrical connection</b>	
<ul style="list-style-type: none"> <li>• for auxiliary and control current circuit</li> </ul>	PUSH-IN connection (spring-loaded connection)
<b>Wire length</b>	
<ul style="list-style-type: none"> <li>• at AC maximum</li> </ul>	500 m
<ul style="list-style-type: none"> <li>• at DC maximum</li> </ul>	1 000 m
<b>Type of connectable conductor cross-sections</b>	
<ul style="list-style-type: none"> <li>• solid</li> </ul>	1x (0.25 ... 2.5 mm <sup>2</sup> )
<ul style="list-style-type: none"> <li>• finely stranded with core end processing</li> </ul>	1x (0.25 ... 1.5 mm <sup>2</sup> )
<ul style="list-style-type: none"> <li>• finely stranded without core end processing</li> </ul>	1x (0.25 ... 2.5 mm <sup>2</sup> )
<ul style="list-style-type: none"> <li>• at AWG conductors solid</li> </ul>	1 x (20 ... 14)
<ul style="list-style-type: none"> <li>• at AWG conductors stranded</li> </ul>	1x (20 ... 14)
<b>Connectable conductor cross-section</b>	
<ul style="list-style-type: none"> <li>• solid</li> </ul>	0.25 ... 2.5 mm <sup>2</sup>
<ul style="list-style-type: none"> <li>• finely stranded with core end processing</li> </ul>	0.25 ... 1.5 mm <sup>2</sup>
<ul style="list-style-type: none"> <li>• finely stranded without core end processing</li> </ul>	0.25 ... 2.5 mm <sup>2</sup>
<b>AWG number as coded connectable conductor cross section</b>	
<ul style="list-style-type: none"> <li>• solid</li> </ul>	20 ... 14
<ul style="list-style-type: none"> <li>• stranded</li> </ul>	20 ... 14

## Installation/ mounting/ dimensions

<b>Mounting position</b>	any
<b>Mounting type</b>	snap-on mounting
<b>Height</b>	93 mm
<b>Width</b>	6.2 mm
<b>Depth</b>	72.5 mm
<b>Required spacing</b>	
<ul style="list-style-type: none"> <li>• with side-by-side mounting <ul style="list-style-type: none"> <li>— forwards</li> </ul> </li> </ul>	0 mm

- Backwards 0 mm
- upwards 0 mm
- downwards 0 mm
- at the side 0 mm
- for grounded parts
  - forwards 0 mm
  - Backwards 0 mm
  - upwards 0 mm
  - at the side 0 mm
  - downwards 0 mm
- for live parts
  - forwards 0 mm
  - Backwards 0 mm
  - upwards 0 mm
  - downwards 0 mm
  - at the side 0 mm

#### Ambient conditions

<b>Installation altitude at height above sea level</b>	
• maximum	2 000 m
<b>Relative humidity</b>	
• during operation	10 ... 95 %

#### Certificates/ approvals

General Product Approval			EMC	Declaration of Conformity	
					
CCC	CSA	UL		RCM	EG-Konf.

Declaration of Conformity	Marine / Shipping	other
---------------------------	-------------------	-------

[Miscellaneous](#)



[Confirmation](#)

#### Further information

**Information- and Downloadcenter (Catalogs, Brochures,...)**

[www.siemens.com/sirius/catalogs](http://www.siemens.com/sirius/catalogs)

**Industry Mall (Online ordering system)**

<https://mall.industry.siemens.com/mall/en/en/Catalog/product?mlfb=3RQ3053-2SG30>

**Cax online generator**

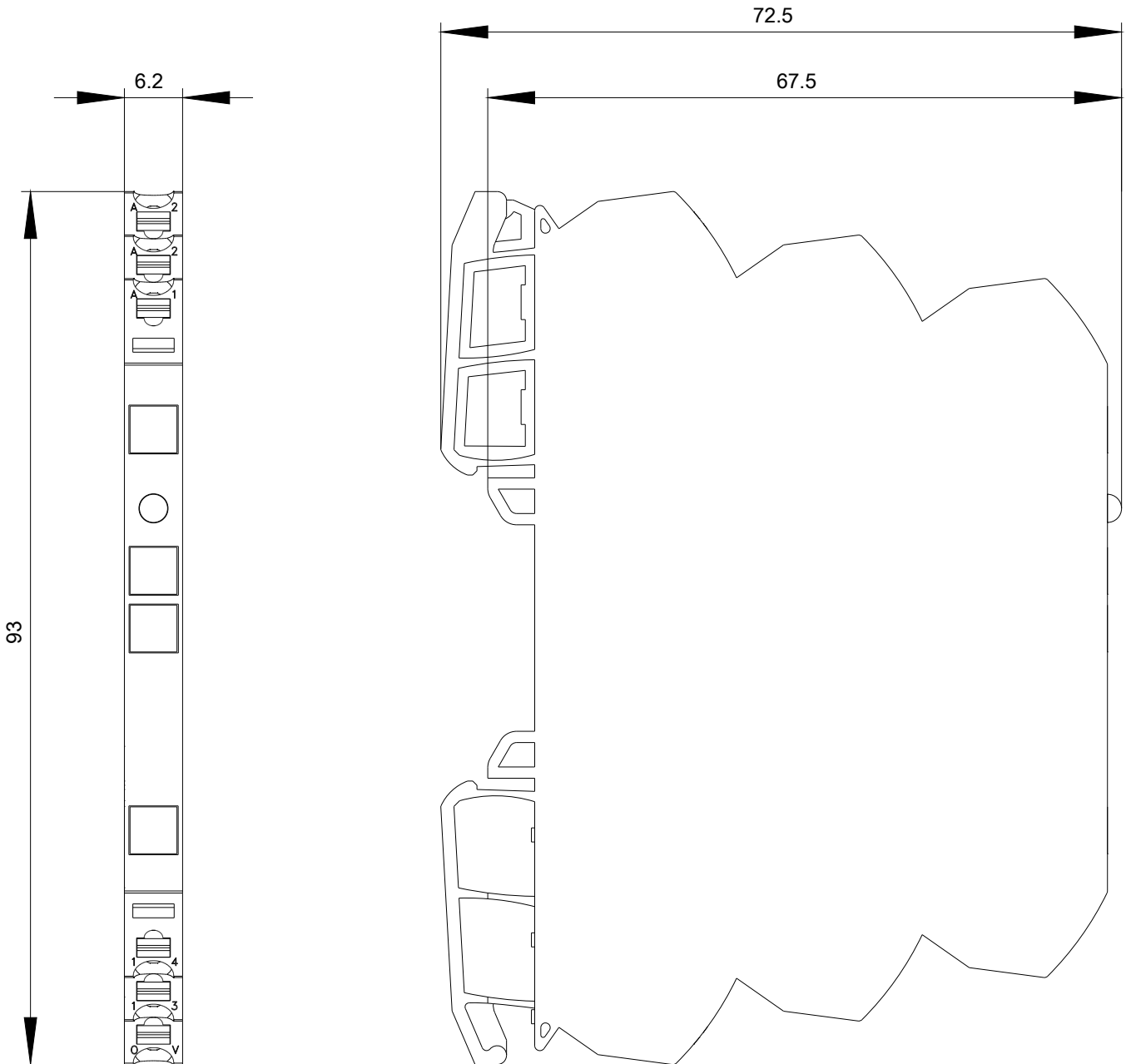
<http://support.automation.siemens.com/WW/CAXorder/default.aspx?lang=en&mlfb=3RQ3053-2SG30>

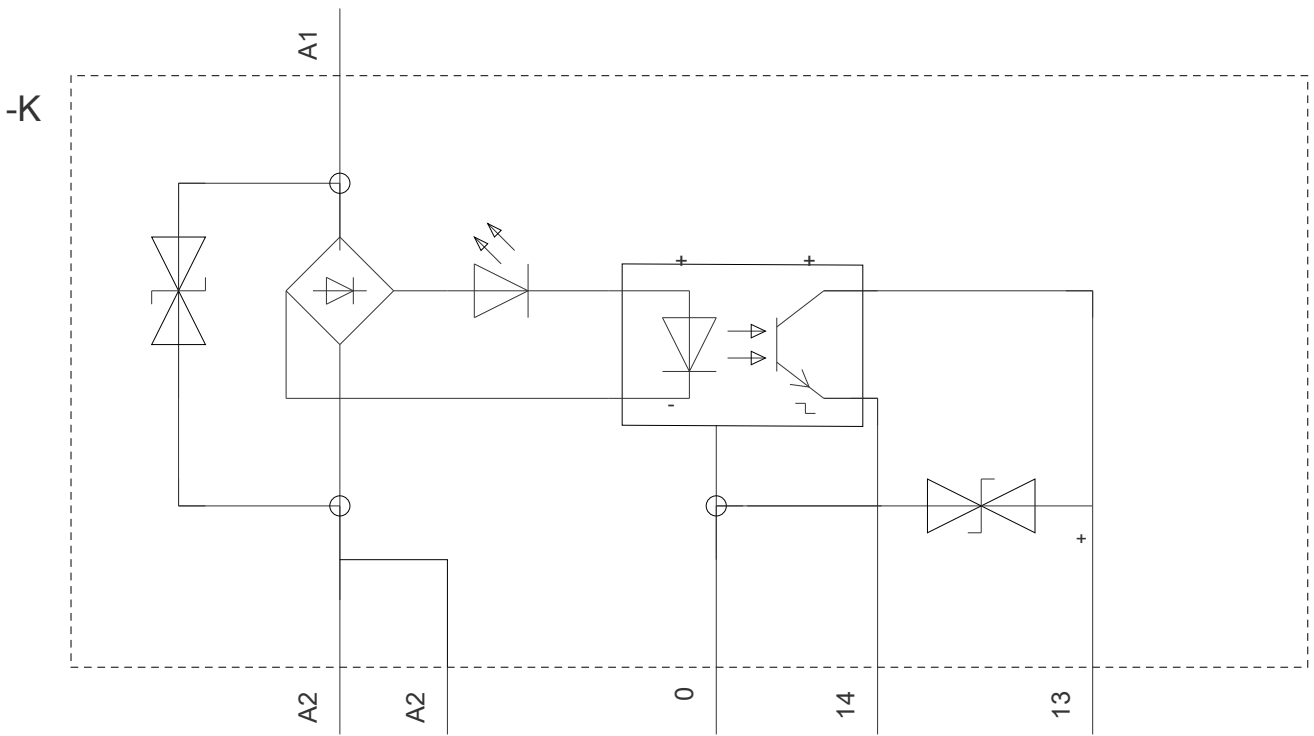
**Service&Support (Manuals, Certificates, Characteristics, FAQs,...)**

<https://support.industry.siemens.com/cs/ww/en/ps/3RQ3053-2SG30>

**Image database (product images, 2D dimension drawings, 3D models, device circuit diagrams, EPLAN macros, ...)**

[http://www.automation.siemens.com/bilddb/cax\\_de.aspx?mlfb=3RQ3053-2SG30&lang=en](http://www.automation.siemens.com/bilddb/cax_de.aspx?mlfb=3RQ3053-2SG30&lang=en)





last modified:

09/04/2019