

SITOR fuse link, with slotted blade contacts, NH2, In: 125 A, aR, Un AC: 1500 V, Un DC: 1000 V, without Indicator



Model	
Product brand name	SETRON
Product designation	SITOR fuse link
Design of the product	With slotted blade contacts
Design of an identification indicator	Without indicator
Design of the switching contact	With bolt-on links, silver-plated
Design of the fuse link	SITOR, LV HRC design
General technical data	
Size of fuse system / acc. to DIN EN 60269-1	NH2
Operating class of the fuse link	aR
Supply voltage	
Type of voltage	AC/DC
Current / at AC / rated value	125 A
Supply voltage	
• at AC / rated value	1 500 V
• at DC	1 000 V
Product details	
Product description	Not non-interchangeable

## Mechanical Design

Mounting position Any, preferably vertical

## Environmental conditions

Ambient temperature -20 ... +50 °C

Environmental category -20 to +50 at 95% relative humidity

## Certificates

Reference code

- acc. to DIN EN 61346-2 F
- acc. to DIN EN 81346-2 F

## Declaration of Conformity



EG-Konf.

## Further information

**Information- and Downloadcenter (Catalogs, Brochures,...)**

<http://www.siemens.com/lowvoltage/catalogs>

**Industry Mall (Online ordering system)**

<https://mall.industry.siemens.com/mall/en/en/Catalog/product?mlfb=3NE5322-0MK06>

**Service&Support (Manuals, Certificates, Characteristics, FAQs,...)**

<https://support.industry.siemens.com/cs/ww/en/ps/3NE5322-0MK06>

**Image database (product images, 2D dimension drawings, 3D models, device circuit diagrams, ...)**

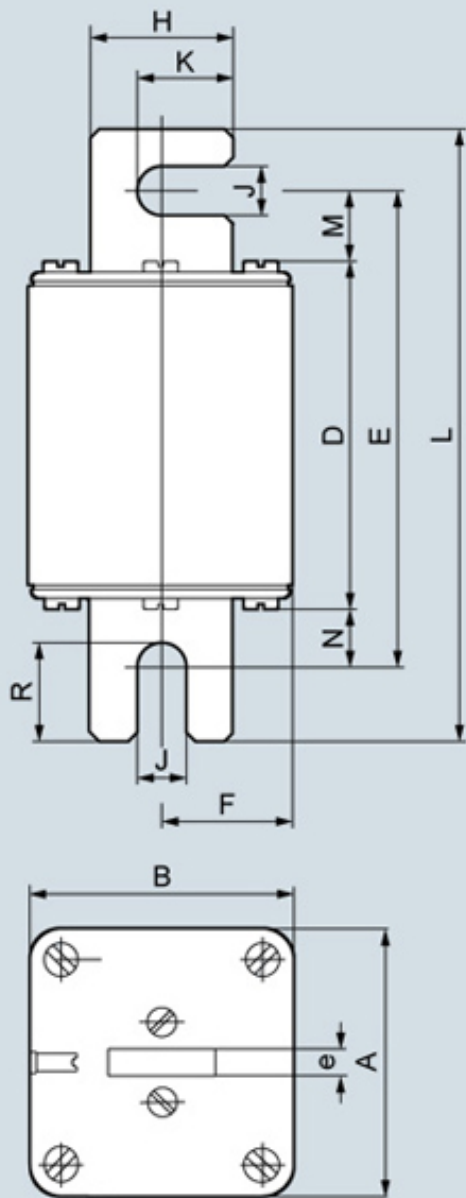
[http://www.automation.siemens.com/bilddb/cax\\_en.aspx?mlfb=3NE5322-0MK06](http://www.automation.siemens.com/bilddb/cax_en.aspx?mlfb=3NE5322-0MK06)

**CAX-Online-Generator**

<http://www.siemens.com/cax>

**Tender specifications**

<http://www.siemens.com/specifications>



Type

Dimensions

	A	B	D	E	F	H	J	K	L	M	N	R	e
<b>3NE32..-0MK</b>	52	52	78,4	106,6	26	25	11	18	137	15,7	12,5	22,3	6
<b>3NE32..-0MK08</b>	52	52	78,4	106,6	26	25	11	18	137	15,7	12,5	22,3	6
<b>3NE53..-0MK06</b>	60	60	137	165,5	30	32	11	21,5	196	15,8	12,8	22,1	6

