



Basic switch for position switch 3SE51 Metal enclosure 40 mm according to EN 50041 with connector 6+PE according to EN 43651 with 2 LEDs, yellow/green 24 V DC 1 NO/1 NC slow-action contacts without actuator head Pin assignment: Pin1=21, Pin2=22 Pin3=14 and LED green, Pin4=13 and LED yellow, Pin5=not connected, Pin6=ground LED

Product brand name	SIRIUS
Product designation	Mechanical position switches
Product type designation	3SE5
Manufacturer's article number	<ul style="list-style-type: none"> • of the supplied basic switch 3SE5115-1BA00-1AF2 • of the supplied switching contacts 3SE5000-0BA00
Suitability for use safety switch	Yes

General technical data	
Product function	
<ul style="list-style-type: none"> • positive opening 	Yes
Degree of pollution	class 3
Surge voltage resistance rated value	0.8 kV
Protection class IP	IP65
Shock resistance	
<ul style="list-style-type: none"> • acc. to IEC 60068-2-27 	30 g / 11 ms
Mechanical service life (switching cycles)	
<ul style="list-style-type: none"> • typical 	15 000 000

Electrical endurance (switching cycles) with contactor 3RH11, 3RT1016, 3RT1017, 3RT1024, 3RT1025, 3RT1026 typical	10 000 000
Electrical operating cycles in one hour with contactor 3RH11, 3RT1016, 3RT1017, 3RT1024, 3RT1025, 3RT1026	6 000
Thermal current	10 A
Reference code acc. to DIN EN 81346-2	B
Reference code acc. to DIN EN 61346-2	B
Continuous current of the C characteristic MCB	1 A; for a short-circuit current smaller than 400 A
Continuous current of the quick DIAZED fuse link	10 A; for a short-circuit current smaller than 400 A
Continuous current of the DIAZED fuse link gG	6 A
Active principle	mechanical
Repeat accuracy	0.05 mm
Minimum actuating force in activation direction	20 N
Length of the sensor	111.7 mm
Width of the sensor	40 mm
Design of the switching contact	mechanical
Number of NC contacts for auxiliary contacts	1
Number of NO contacts for auxiliary contacts	1
Number of CO contacts for auxiliary contacts	1
Operating current at DC-13 <ul style="list-style-type: none"> • at 24 V rated value 	3 A
Design of the interface for safety-related communication	without

Enclosure	
Design of the housing	block, narrow
Material of the enclosure	metal
Coating of the enclosure	cathodic immersion coating
Design of the housing acc. to standard	Yes

Drive Head	
Design of the operating mechanism	Other, without, basic switch with LED and plug
Design of the switching function	Positive opening with appropriate positive opening actuator head
Circuit principle	slow-action contacts
Number of switching contacts safety-related	1

Connections/ Terminals	
Type of electrical connection	plug, 6-pole + PU, according to EN 43651
Cable entry type	plug, 6-pole + PU, according to EN 43651
Design of plug-in connection	plug, 6-pole + PU: Pin 1 = terminal 21, Pin 2 = 22, Pin 3 = 13/LED green, Pin 4 = 14/LED yellow, Pin 5 = not assigned, Pin 6 = ground LED, PU connected

Communication/ Protocol	
Design of the interface	without

Ambient conditions

Explosion protection category for dust	none
----------------------------------------	------

Supply voltage

Type of voltage of the supply voltage	DC
• of the optional LED indicator	
Supply voltage	24 V
• of LED	

Installation/ mounting/ dimensions

Mounting position	any
Mounting type	screw fixing

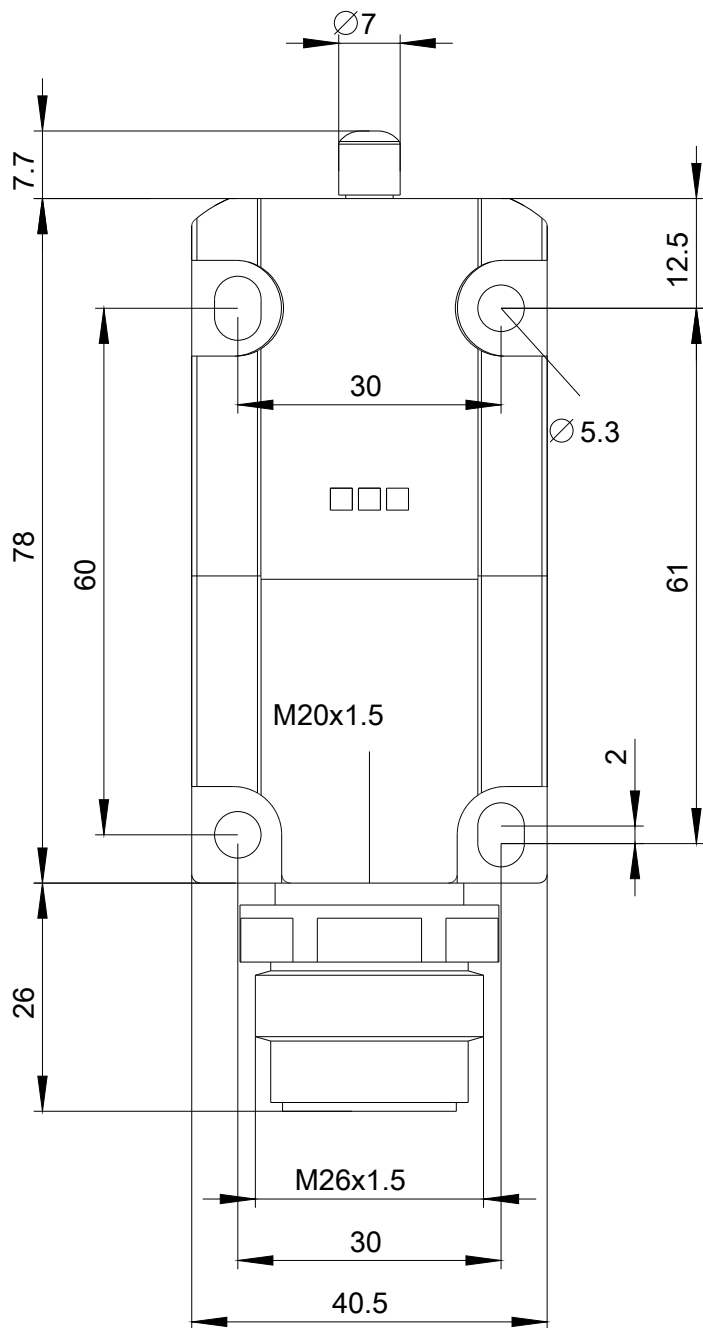
Certificates/ approvals

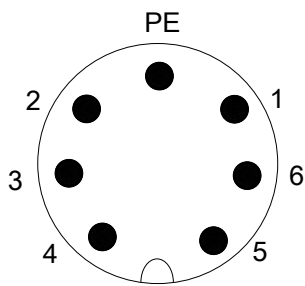
General Product Approval	Functional Safety/Safety of Machinery	Declaration of Conformity
 CCC	 CSA	 UL
		 EG-Konf.
Type Examination Certificate		

Declaration of Conformity	Test Certificates	other
Miscellaneous	Type Test Certificates/Test Report	Confirmation

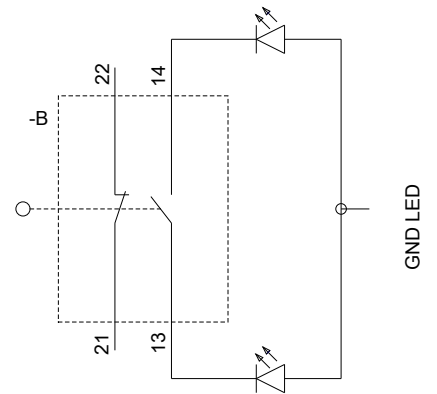
Further information

- Information- and Downloadcenter (Catalogs, Brochures,...)**
www.siemens.com/sirius/catalogs
- Industry Mall (Online ordering system)**
<https://mall.industry.siemens.com/mall/en/en/Catalog/product?mlfb=3SE5115-1BA00-1AF2>
- Cax online generator**
<http://support.automation.siemens.com/WW/CAXorder/default.aspx?lang=en&mlfb=3SE5115-1BA00-1AF2>
- Service&Support (Manuals, Certificates, Characteristics, FAQs,...)**
<https://support.industry.siemens.com/cs/ww/en/ps/3SE5115-1BA00-1AF2>
- Image database (product images, 2D dimension drawings, 3D models, device circuit diagrams, EPLAN macros, ...)**
http://www.automation.siemens.com/bilddb/cax_de.aspx?mlfb=3SE5115-1BA00-1AF2&lang=en





1	Black-1	→	21
2	Black-2	→	22
3	Black-3	→	14+LED-Green
4	Black-4	→	13+LED-Yellow
5	Black-5	→	-
6	Black-6	→	GND LED
PE	Green-Yellow	→	PE



last modified:

09/12/2019