

SITOR fuse holder 630 A 1800 V 1-pole with bolt terminal with fixing dimension 170 mm



Model	
Product brand name	SENTRON
Product designation	LV HRC fuse system
Design of the thread / of the connection screw	M10
General technical data	
Number of poles	1
Usage category	Without
Supply voltage	
Current / at AC / rated value	630 A
Supply voltage	
• at AC / rated value	1 800 V
• at DC	1 800 V
Current	
Tripping residual / rated value / derated current / at 40 Cel	579.6 A
Product details	
Product component / Swivel mechanism	No

Connections

Tightening torque / with screw-type terminals	20 N·m
Type of electrical connection	for mounting on mounting plate
• for main current circuit	Stud terminal

Mechanical Design

Height	211 mm
Width	55 mm
Mounting type	fixed mounting
Mounting type	
• bus-mounting	No

Certificates

Reference code	
• acc. to DIN EN 61346-2	F
• acc. to DIN EN 81346-2	F

Further information

Information- and Downloadcenter (Catalogs, Brochures,...)

<http://www.siemens.com/lowvoltage/catalogs>

Industry Mall (Online ordering system)

<https://mall.industry.siemens.com/mall/en/en/Catalog/product?mlfb=3NH5473>

Service&Support (Manuals, Certificates, Characteristics, FAQs,...)

<https://support.industry.siemens.com/cs/ww/en/ps/3NH5473>

Image database (product images, 2D dimension drawings, 3D models, device circuit diagrams, ...)

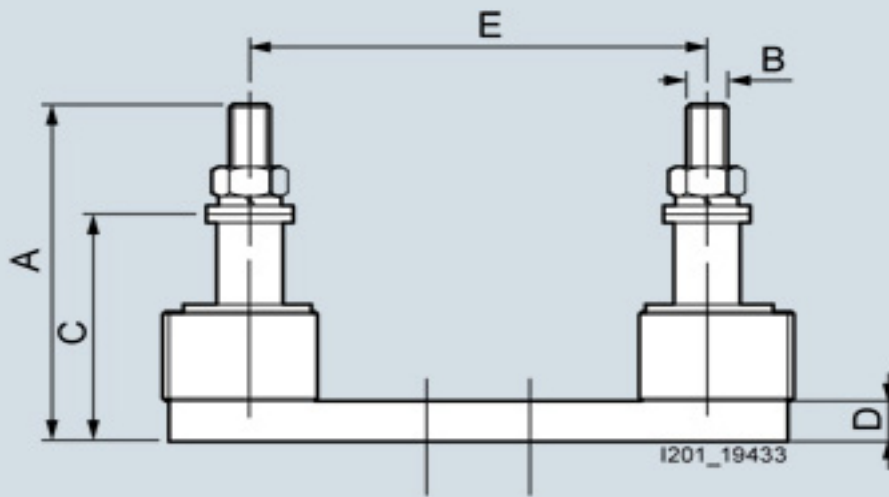
http://www.automation.siemens.com/bilddb/cax_en.aspx?mlfb=3NH5473

CAX-Online-Generator

<http://www.siemens.com/cax>

Tender specifications

<http://www.siemens.com/specifications>



Type	Dimensions					
	A	B	C	D	E	F
3NH5463	94	M10	65	11	110	153
3NH5473	101	M10	72	11	170	211