

Safety momentary-contact foot switch 1-pedal, with protective cover, IP65, with interlock function, 2 NO+2 NC, NO contact, closes as pushbutton, NC contact, opens with simultaneous latching (safety function), cable entry M20 x 1.5



| | |
|-----------------------------------|--------------------|
| Product designation | safety foot switch |
| Suitability for use safety switch | Yes |

| General technical data | |
|--|--------|
| Protection class IP | IP65 |
| Reference code acc. to DIN EN 81346-2 | S |
| Reference code acc. to DIN EN 61346-2 | S |
| Number of switching steps | 2 |
| Number of the actuation pedals | 1 |
| Minimum actuating force in activation direction | 240 N |
| Number of NC contacts for auxiliary contacts | 2 |
| Number of NO contacts for auxiliary contacts | 2 |
| Operating current at AC-15 | |
| • at 230 V rated value | 16 A |
| • at 400 V rated value | 16 A |
| Operating current at DC-13 | |
| • at 24 V rated value | 3 A |
| • at 250 V rated value | 0.25 A |

Enclosure

| | |
|----------------------------------|-------|
| Material of the enclosure | metal |
| Color | |
| • of the enclosure | black |
| • of top part of the enclosure | grey |

Actuator

| | |
|------------------------|-----|
| Product feature | |
| • interlock | Yes |
| • Latching | No |

Safety related data

| | |
|---|-----------|
| B10 value | |
| • with high demand rate acc. to SN 31920 | 100 000 |
| Proportion of dangerous failures | |
| • with low demand rate acc. to SN 31920 | 50 % |
| • with high demand rate acc. to SN 31920 | 50 % |
| Failure rate [FIT] | |
| • with low demand rate acc. to SN 31920 | 100 FIT |
| T1 value for proof test interval or service life acc. to IEC 61508 | 20 y |
| Cable entry type | M20 x 1.5 |

Installation/ mounting/ dimensions

| | |
|---------------|--------|
| Height | 138 mm |
| Width | 156 mm |
| Depth | 265 mm |

Certificates/ approvals

| | |
|--|---|
| General Product Approval | Declaration of Conformity |
|  CCC |  CSA |
|  UL |  EAC |
| |  EG-Konf. |
| | Miscellaneous |

| | | |
|-------------------------------|---|------------------------------|
| Test Certificates | Marine / Shipping | other |
| Miscellaneous |  ABS | Confirmation |
| |  LRS | |
| |  PRS | |
| |  RINA | |

Further information

Information- and Downloadcenter (Catalogs, Brochures,...)
www.siemens.com/sirius/catalogs

Industry Mall (Online ordering system)

<https://mall.industry.siemens.com/mall/en/en/Catalog/product?mlfb=3SE2924-3AA20>

Cax online generator

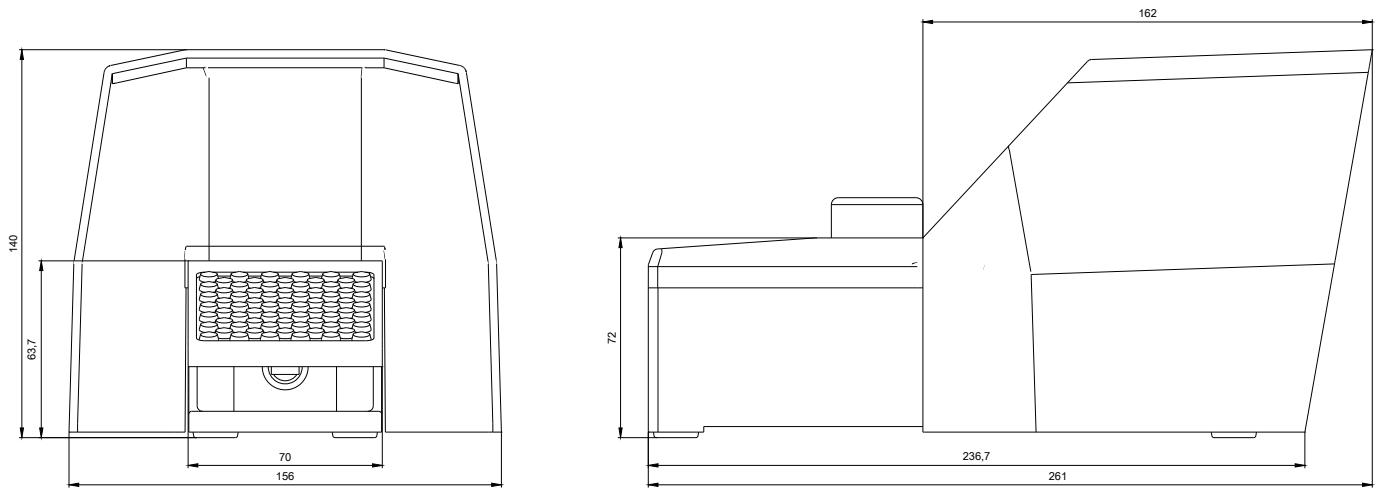
<http://support.automation.siemens.com/WW/CAXorder/default.aspx?lang=en&mlfb=3SE2924-3AA20>

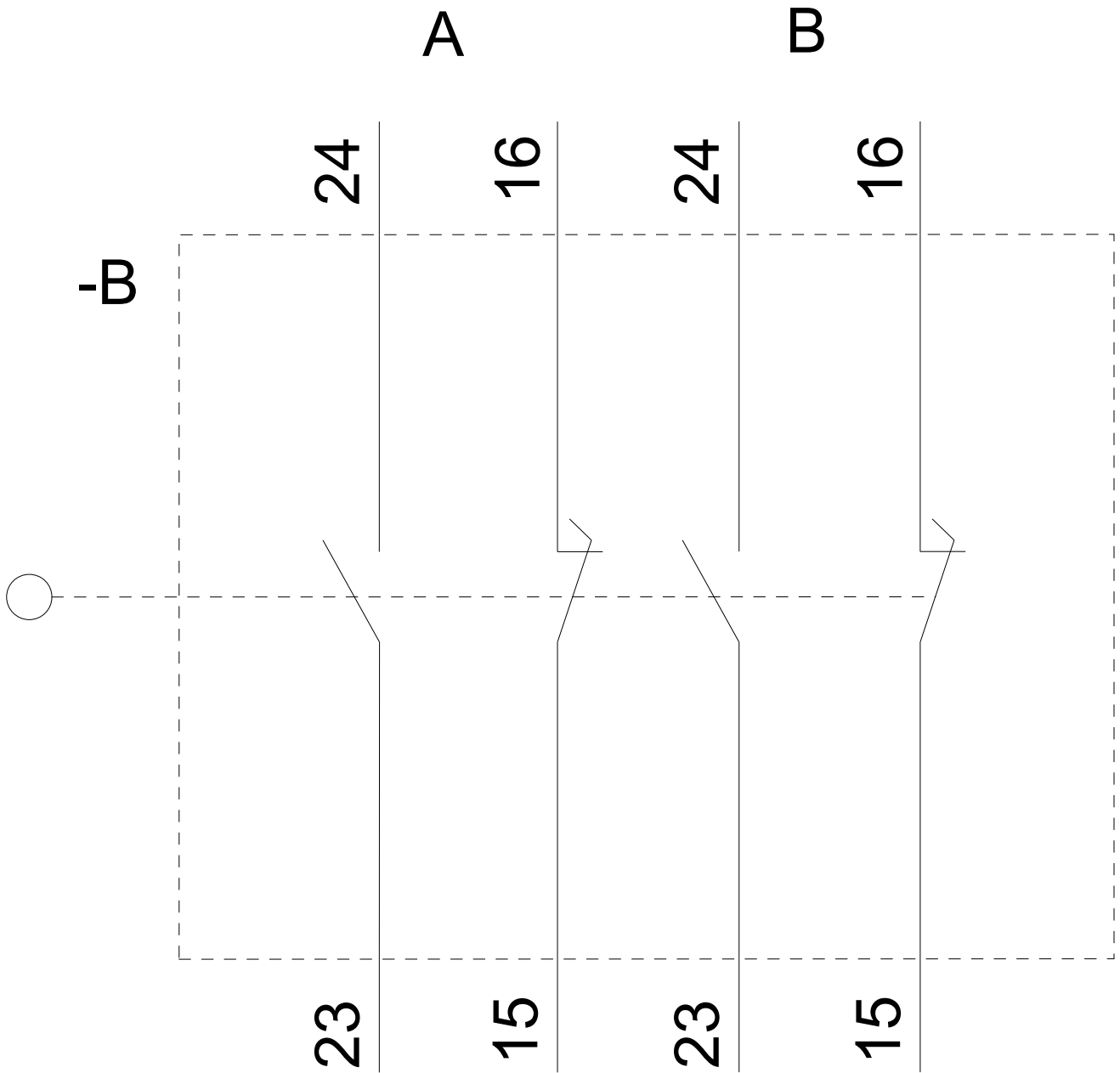
Service&Support (Manuals, Certificates, Characteristics, FAQs,...)

<https://support.industry.siemens.com/cs/ww/en/ps/3SE2924-3AA20>

Image database (product images, 2D dimension drawings, 3D models, device circuit diagrams, EPLAN macros, ...)

http://www.automation.siemens.com/bilddb/cax_de.aspx?mlfb=3SE2924-3AA20&lang=en





last modified:

09/12/2019