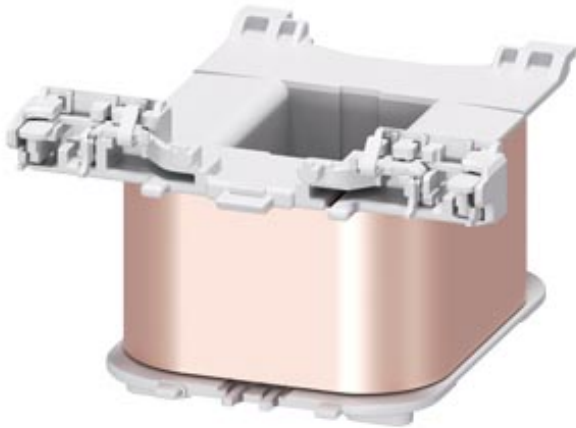


Magnet coil for contactor S3, 42 V AC, 50 / 60 Hz,



General technical data	
Product brand name	SIRIUS
Product designation	Magnet coil
Control circuit	
Type of voltage of the control supply voltage	AC
Control supply voltage frequency	<ul style="list-style-type: none"> <li>• 1 rated value 50 Hz</li> <li>• 2 rated value 60 Hz</li> </ul>
Control supply voltage	<ul style="list-style-type: none"> <li>• 1 at AC                             <ul style="list-style-type: none"> <li>— at 50 Hz rated value 42 V</li> <li>— at 60 Hz rated value 42 V</li> </ul> </li> </ul>
Operating range factor control supply voltage rated value of magnet coil at AC	<ul style="list-style-type: none"> <li>• at 50 Hz 0.8 ... 1.1</li> <li>• at 60 Hz 0.85 ... 1.1</li> </ul>
Certificates/approvals	

General Product Approval	EMC	Declaration of Conformity	Shipping Approval	other
--------------------------	-----	---------------------------	-------------------	-------



[Miscellaneous](#)



[Confirmation](#)

## Further information

### Information- and Downloadcenter (Catalogs, Brochures,...)

<http://www.siemens.com/industrial-controls/catalogs>

### Industry Mall (Online ordering system)

<https://mall.industry.siemens.com/mall/en/en/Catalog/product?mfb=3RT2944-5AD21>

### Cax online generator

<http://support.automation.siemens.com/WW/CAXorder/default.aspx?lang=en&mfb=3RT2944-5AD21>

### Service&Support (Manuals, Certificates, Characteristics, FAQs,...)

<https://support.industry.siemens.com/cs/ww/en/ps/3RT2944-5AD21>

### Image database (product images, 2D dimension drawings, 3D models, device circuit diagrams, EPLAN macros, ...)

[http://www.automation.siemens.com/bilddb/cax\\_de.aspx?mfb=3RT2944-5AD21&lang=en](http://www.automation.siemens.com/bilddb/cax_de.aspx?mfb=3RT2944-5AD21&lang=en)

last modified:

09/11/2019