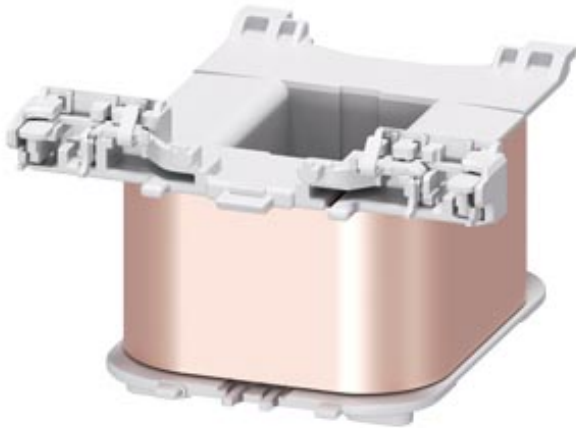


Magnet coil for contactor S3, 100 V, 50 Hz / 110 V, 60 Hz .



General technical data

Product brand name	SIRIUS
Product designation	Magnet coil

Control circuit

Type of voltage of the control supply voltage	AC
Control supply voltage frequency	
• 1 rated value	50 Hz
• 2 rated value	60 Hz
Control supply voltage	
• 1 at AC	
— at 50 Hz rated value	100 V
— at 60 Hz rated value	100 V
• 2 at AC	
— at 60 Hz rated value	110 V
Operating range factor control supply voltage rated value of magnet coil at AC	
• at 50 Hz	0.8 ... 1.1
• at 60 Hz	0.85 ... 1.1

Certificates/approvals

General Product Approval	EMC	Declaration of Conformity	Shipping Approval	other
--------------------------	-----	---------------------------	-------------------	-------



[Miscellaneous](#)



[Confirmation](#)

Further information

Information- and Downloadcenter (Catalogs, Brochures,...)

<http://www.siemens.com/industrial-controls/catalogs>

Industry Mall (Online ordering system)

<https://mall.industry.siemens.com/mall/en/en/Catalog/product?mfb=3RT2944-5AG61>

Cax online generator

<http://support.automation.siemens.com/WW/CAXorder/default.aspx?lang=en&mfb=3RT2944-5AG61>

Service&Support (Manuals, Certificates, Characteristics, FAQs,...)

<https://support.industry.siemens.com/cs/ww/en/ps/3RT2944-5AG61>

Image database (product images, 2D dimension drawings, 3D models, device circuit diagrams, EPLAN macros, ...)

http://www.automation.siemens.com/bilddb/cax_de.aspx?mfb=3RT2944-5AG61&lang=en

last modified:

09/11/2019