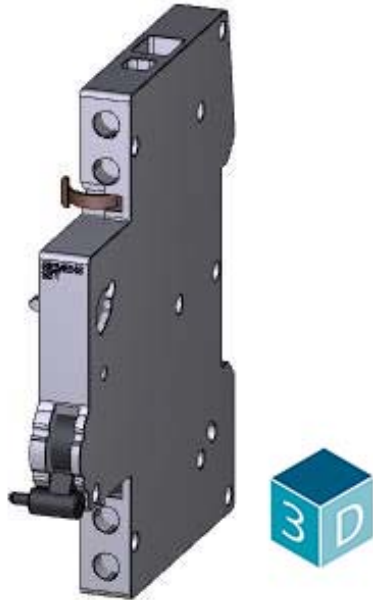


auxiliary current switch, Mountable for Wöhner AMBUS power switch
Switch disconnecter Sz. D02



| Model | |
|---------------------------------------------------|--------------------------|
| Product brand name | SENTRON |
| Product designation | Auxiliary current switch |
| Design of the product | Mountable |
| Electrical endurance (switching cycles) / typical | 20 000 |
| Supply voltage | |
| Operating voltage | |
| • rated value | 230 V |
| Protection class IP | IP20 |
| Product details | |
| Product component | |
| • Auxiliary switch | Yes |
| Product extension | auxiliary switch |
| Number | |
| Number of fault signal contacts | 0 |
| Number of NC contacts | 1 |
| Number of NO contacts | 1 |
| Number of CO contacts | 0 |

Connections

| | |
|------------------------------------------------------------------|-----------------------------|
| Connectable conductor cross-section | 0.5 ... 2.5 mm ² |
| Tightening torque / with screw-type terminals | 0.5 N·m |
| Type of connectable conductor cross-sections / at AWG conductors | 24 ... 12 |

Mechanical Design

| | |
|------------|-------|
| Height | 90 mm |
| Width | 9 mm |
| Depth | 70 mm |
| Net weight | 66 g |

Certificates

Test Certificates

[Miscellaneous](#)

Further information

Information- and Downloadcenter (Catalogs, Brochures,...)

<http://www.siemens.com/lowvoltage/catalogs>

Industry Mall (Online ordering system)

<https://mall.industry.siemens.com/mall/en/en/Catalog/product?mlfb=5ST3010-0HN>

Service&Support (Manuals, Certificates, Characteristics, FAQs,...)

<https://support.industry.siemens.com/cs/ww/en/ps/5ST3010-0HN>

Image database (product images, 2D dimension drawings, 3D models, device circuit diagrams, ...)

http://www.automation.siemens.com/bilddb/cax_en.aspx?mlfb=5ST3010-0HN

CAX-Online-Generator

<http://www.siemens.com/cax>

Tender specifications

<http://www.siemens.com/specifications>

