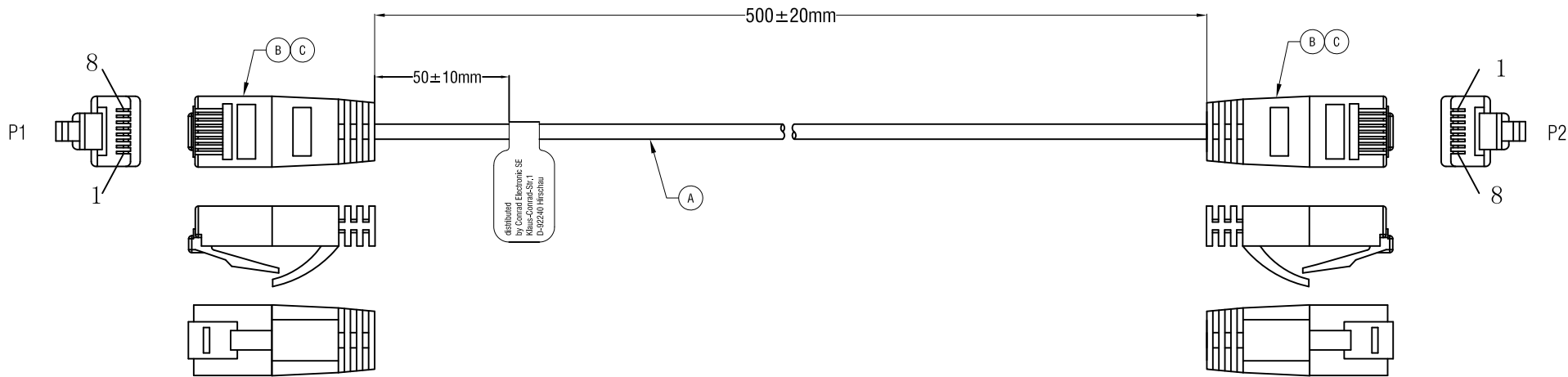
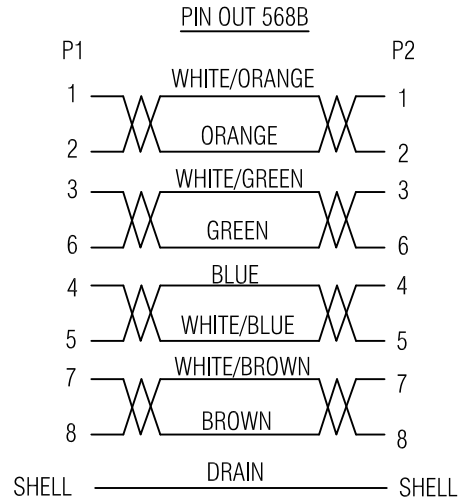
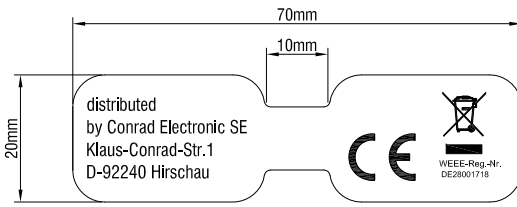


RoHS Compliant



distributed  
by Conrad Electronic SE  
Klaus-Conrad-Str.1  
D-92240 Hirschau



Electrical Test:  
 1.100% TEST OPEN SHORT MIS-WIRE.  
 2.CONTACT RESISTANCE:3Ω MAX.  
 3.INSULATION RESISTANCE:5MΩ MIN.  
 4.HI-POT:300V DC/10MS.

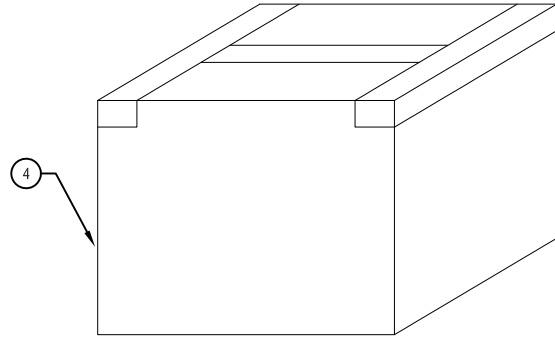
D	新增線上CE貼紙	2019-10-16
C	更改外箱尺寸	2018-12-24
B	新增第二頁包裝	2018-11-23
VER.A	REVISE	DATE

Company: CONRAD

C		BLACK PVC	G
B	1	Z-1760692	2 PCS
A		RJ45 8P8C MALE(metal shield,Gold Plated)	1 PCS
		CAT8 F/FTP CABLE(32#*1P+AL-FOIL)*4+D+AL-FIOL,OD=3.8mm,BLACK PVC JACKET.	Quantity Unit
NUMBER	BOM.NO	PRODUCT SPECIFICATIONS	Quantity Unit

Item	1760692	
Draw	<i>Kobe</i>	Date: 2018.06.19
Approval		
Duty	F16	BOM.NO: 13569

RoHS Compliant



500PCS/CTN (480\*330\*290mm)

CONRAD  
GERMANY  
BEST NO.: 1760692  
PCS.: 500PCS  
MODEL NO.: CAT8SLIM-FFTP-0.5  
ORDER NO.:  
WEIGHT(KG.): KGS

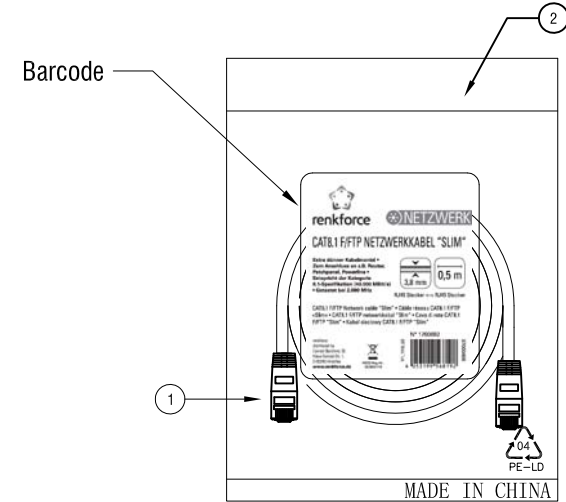
外箱側麥

CONRAD  
HAMBURG  
C/NO.:  
MADE IN CHINA

外箱正麥



Barcode(100\*85mm)



1PCS/PE Bag(0.06\*150\*200mm) + Barcode

D		
C		
B		
VER.A	REVISE	DATE

Company: CONRAD

Item	1760692	
Draw	<i>Kobe</i>	Date: 2018.06.19
Approval		
Duty	F16	BOM.NO: 13569