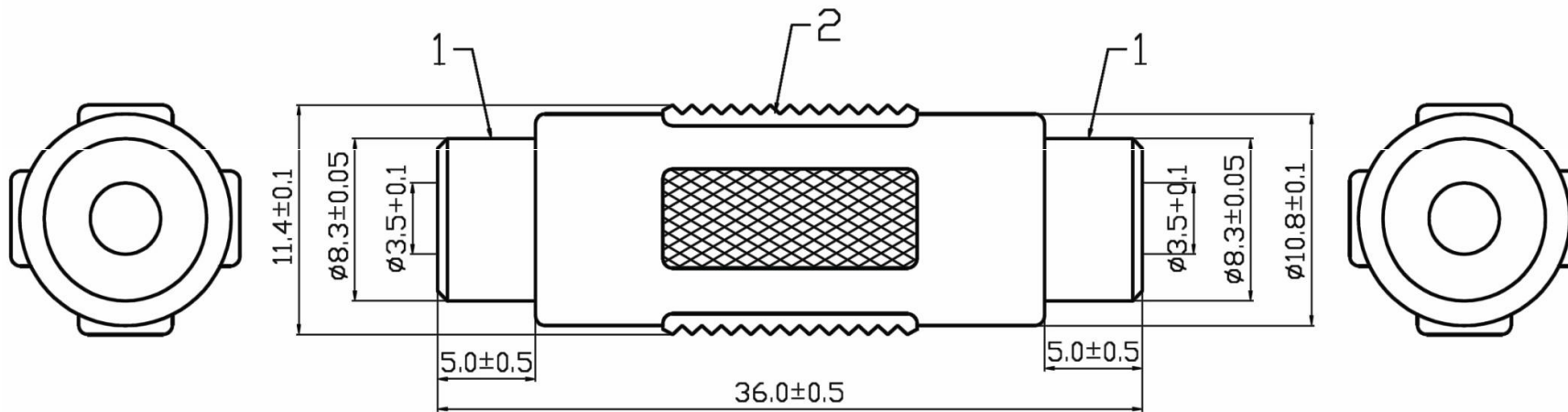


Datenblatt



2	PLASTIC HANDLE	PVC
1	BODY	BRASS
ITEM	DESIGNATION	MATERIAL

PIN OUT:

1 ——— 1

2 ——— 2

(G)3 ——— 3(G)