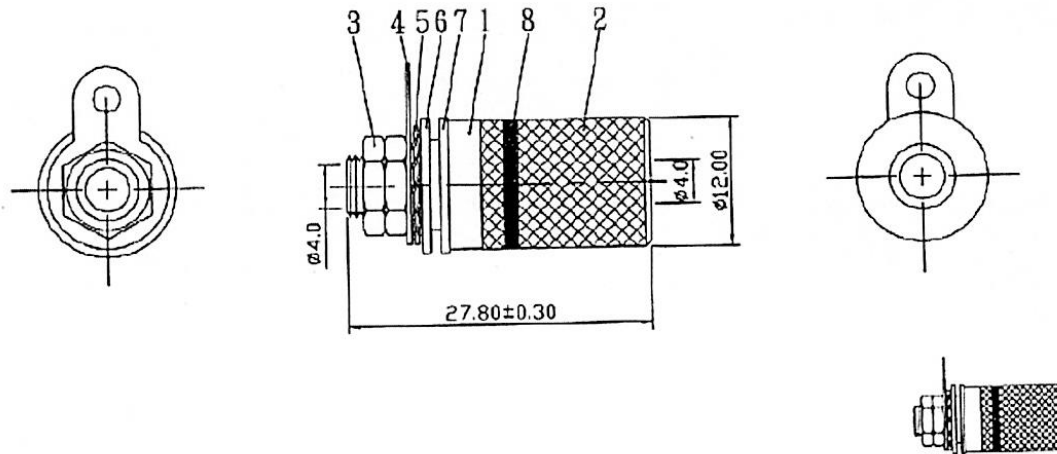


# Datenblatt



The tolerance without marking are all  $\pm 0.1$  mm

## COMPONENTS LIST

NO.	Description	Unit	Materials	Finish	Drawing No.
1	body	1	brass	gold	
2	headlock	1	brass	gold	
3	hexagon nut	2	brass	gold	
4	gasket	1	brass	gold	
5	washer	1	brass	gold	
6	washer	1	plastic	white(nature)	
7	washer	1	plastic	white(nature)	
8	color ring	1	____ (PV)	red / black(nature)	