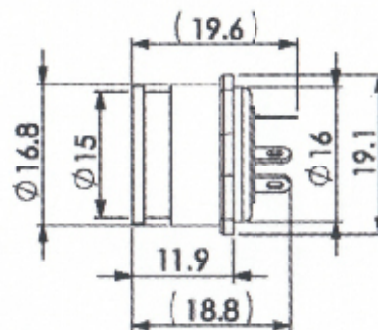
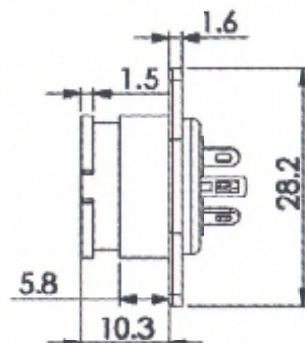
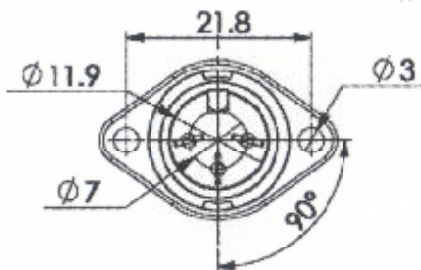


# Datenblatt



**Specifications**  
**rating :**  
 100V AC 4A MAX  
**contact resistance :**  
 pins-30mΩ MAX; shell-50mΩ MAX  
**Insulation resistance :**  
 MIN 100 MEGΩ @500V DC  
**voltage withstand :**  
 250V AC R.M.S. for 1 minute

4	3P Housing	PA66		1
3	Terminals	Brass	Silver Ptd.	3
2	Negative Contactor	Copper	Nickel Ptd.	1
1	Shield Cover	Zn Alloy	Nickel Ptd.	1
<b>No.</b>	<b>Description</b>	<b>Material</b>	<b>Treat</b>	<b>Q'ty</b>