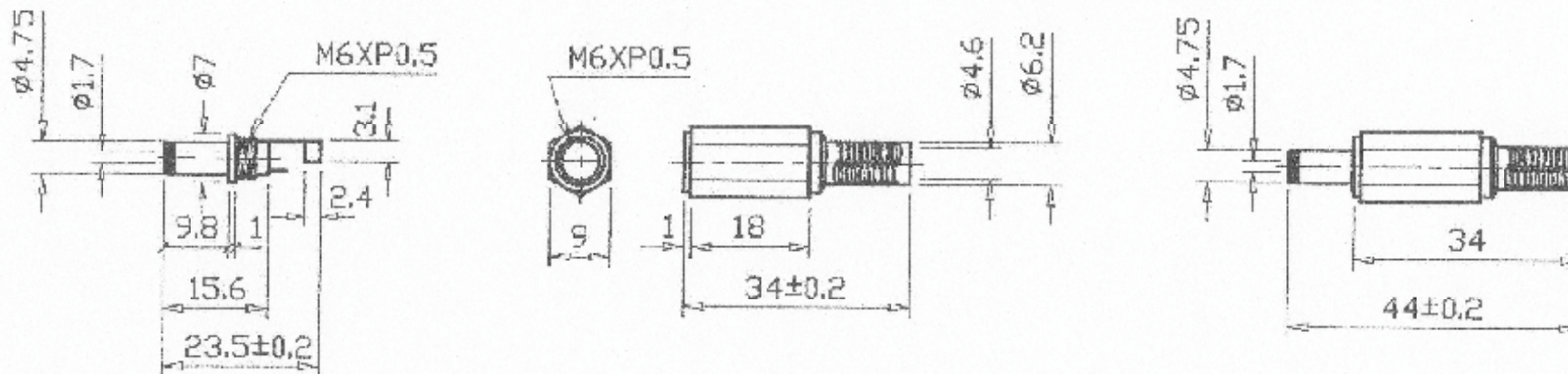


# Datenblatt



### SPECIFICATION:

1. RATING: 12VDC/3A

2. OPERATING TEMPERATURE:

-40°C to +105°C

5	CRIMPING PATCH	Cu
4	SOLDERING PATCH	Cu
3	BODY	Cu
2	PLASTIC HANDLE	PE
1	DIELECTRIC	POM
ITEM	DESIGNATION	MATERIAL