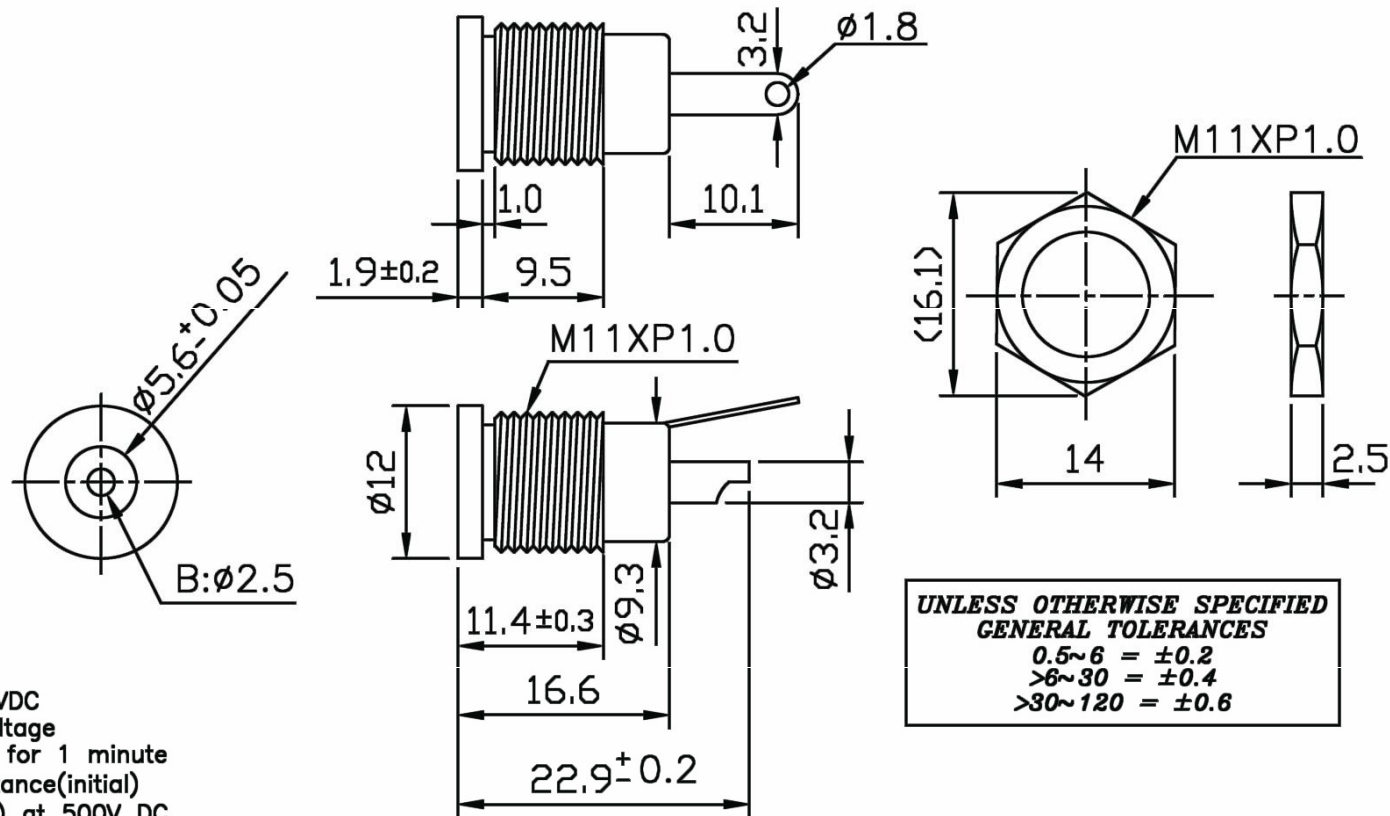


# Datenblatt



## Specification

1. Rating : 3A 12VDC
2. Withstanding voltage  
AC 500V, 60Hz for 1 minute
3. Insulation resistance(initial)  
100M ohm(min.) at 500V DC
4. Contact resistance(initial)  
30m ohm(max.) at AC 100mA(max) 1 KHz
5. Insertion & Extraction force  
Initial : 0.3 to 3.0 Kgs  
After life test : 0.2 to 3.0 Kgs
6. Life test(20-30 cycle/minute)  
5,000 cycles unloading