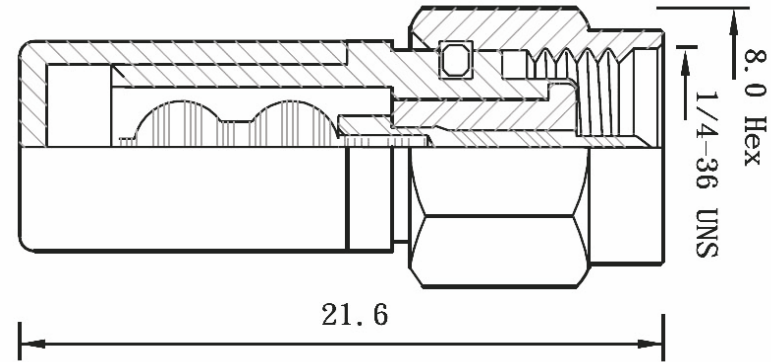


Datenblatt



Impedance	50 Ω
Frequency range	DC~12 GHz
Working voltage	500 Volts peak
Withstanding voltage	1000 VRMS
Other (MIL-C-39012 cable connectors)	Contact resistance Center contact: 2,0 milliohm Body contact: 2,0 milliohm Insertion loss: 0,03√(GHz) dB max Insulation resistance: 5000 megohms(min)
Coupling Torque	15,0 lb-in (1,70 N.m)
Temperature Range	-55°C ~ 155°C

NOTE: FINISH (PLATING THICKNESS IN MICRO-INCHES)

1. BODY/CONTACT: BRASS PER JIS-C3604
2. INSULATION: TEFLON PER ASTM D1457 AND ASTM D1710
3. CONNECTOR INTERFACE PER MIL-STD-348A
4. PART TO BE CLEAN AND FREE BURRS
5. GOLD PL 1-3µ" OVER NICKEL PL 70 µ" THICK OVER COPPER STRIKE

5	Terminator	50 Ω	1/2W(+/-1%)
4	Nut	Brass	Gold
3	Insulator	Teflon	White
2	Contact	Brass	Gold
1	Body	Brass	Gold
No	Description	Material	Finish