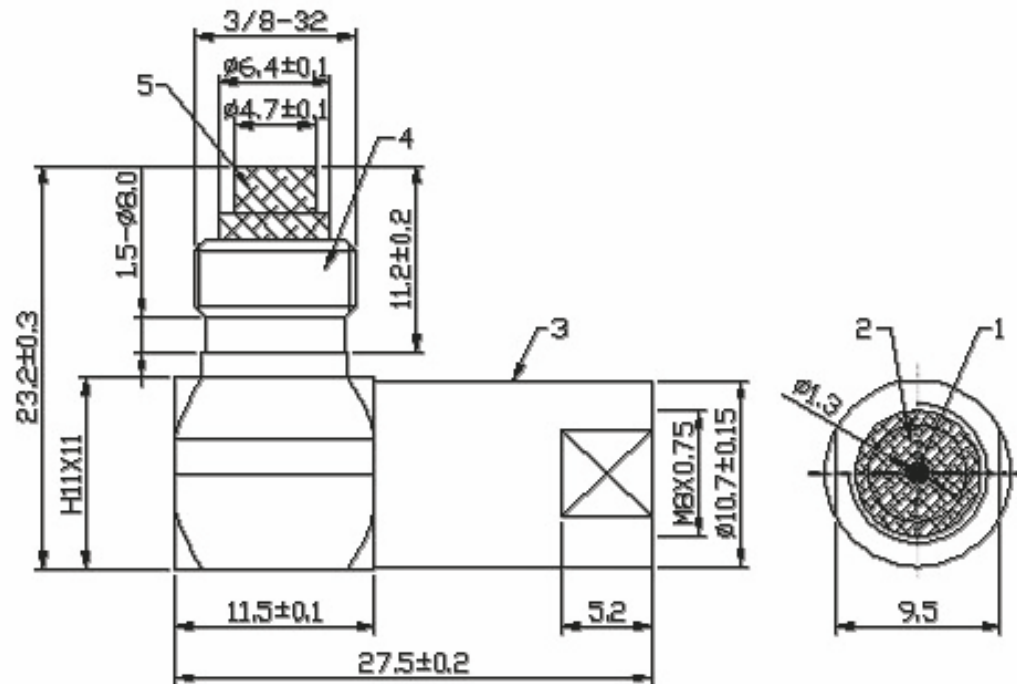


# Datenblatt



5	INSULATOR	POM	
4	FME FEMALE PART	BRASS	NICKEL
3	BODY	BRASS	NICKEL
2	INSULATOR	POM	
1	PIN	BRASS	GOLD
ITEM	DESIGNATION	MATERIAL	FINISH