

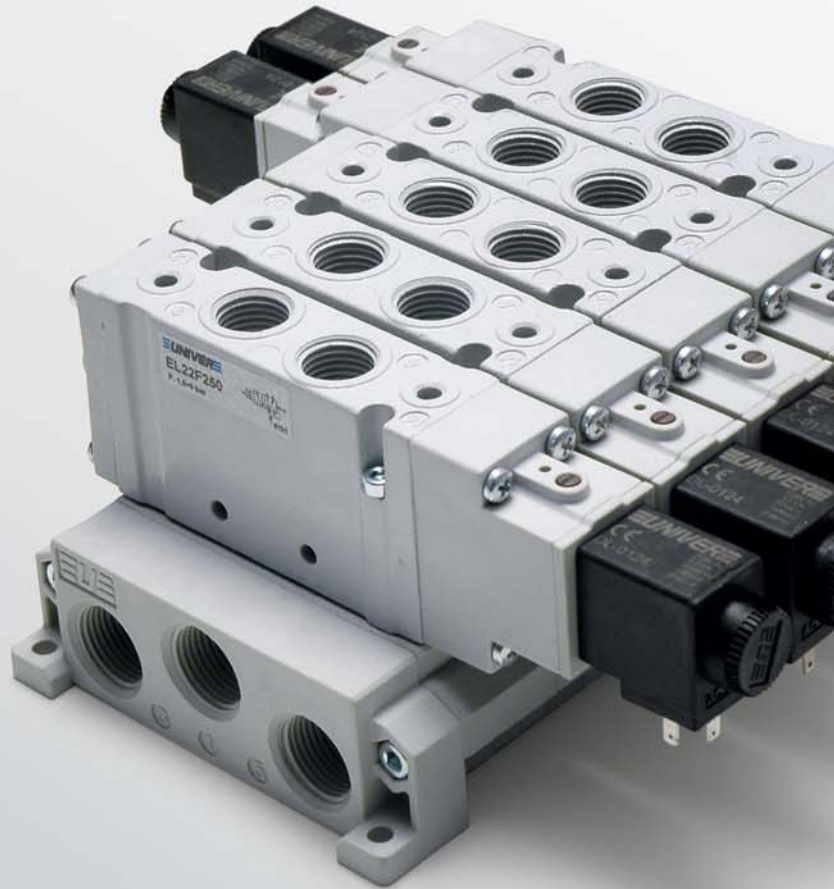
ESSENTIAL

Valves

EL series

18 mm - G1/8

22 mm - G1/4





ESSENTIAL Valves EL series 18 mm (G1/8) 22 mm (G1/4)

HIGH FLOW RATE

800 NI/min (G1/8) 1700 NI/min (G1/4)

REDUCED DIMENSIONS

18 mm (G1/8) 22 mm (G1/4)

COMPLETE SOLUTION

5/2 Monostable/Bistable

5/3 Closed centers/Open centers/Pressurized centers

3/2 NC+3/2 NC

3/2 NC+3/2 NO

3/2 NO+3/2 NO

STRONG

Metallic body

G1/8



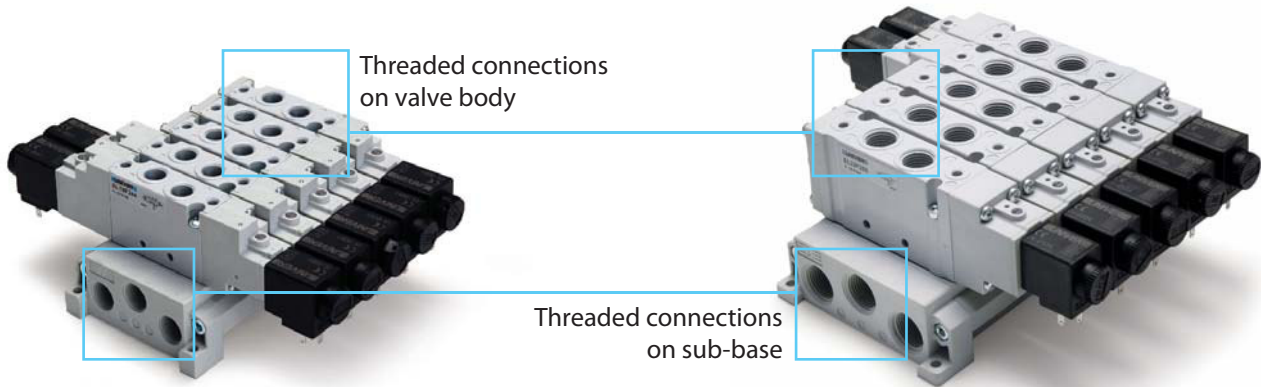
G1/4



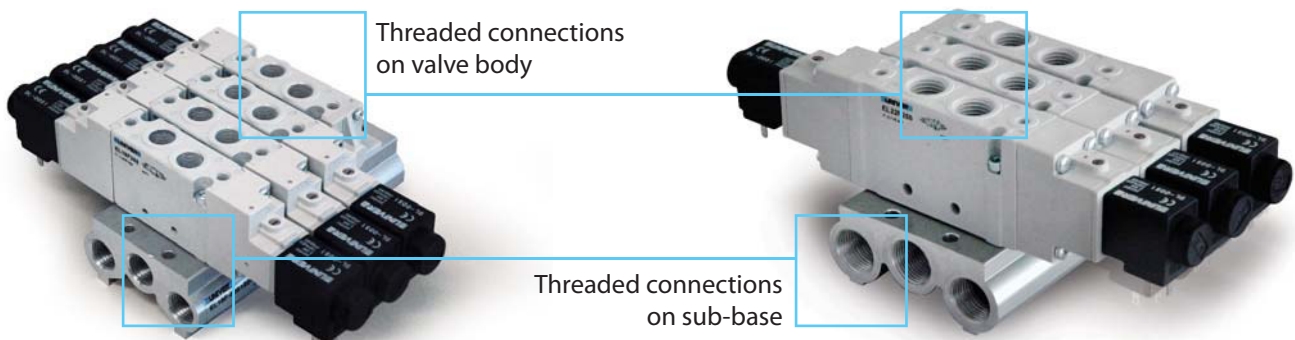
EL18F G1/8

EL22F G1/4

Modular sub-base in technopolymer

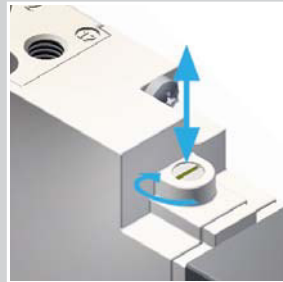


Aluminum Sub-base

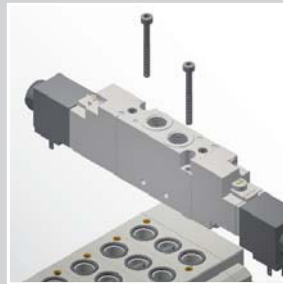




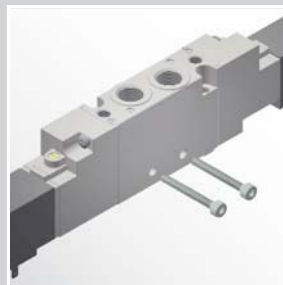
**Interchangeable
U6 coil**
12 - 24 V DC
24 - 110 - 220 V AC



**Manual override
(standard)**
1/2 position impulse



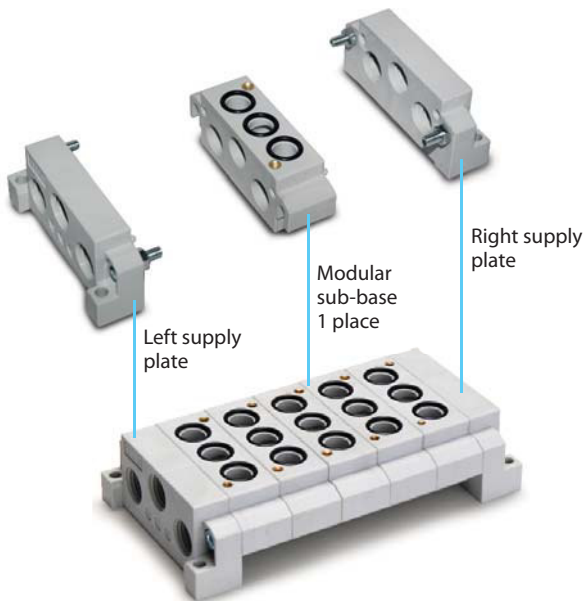
Sub-base mounting
Easy installation by means
of 2 screws



Individual mounting
Side holes on valve body



**Traditional UNIVER
technology**
The dynamic spool
guarantees a long life and
reliability



1 ÷ 10 positions



EL22F

ESSENTIAL Valves 22 mm - G1/4



TECHNICAL CHARACTERISTICS

Ambient temperature	-5 ÷ 50 °C
Fluid temperature	Max 50 °C
Fluid	filtered air 10 µm, with or without lubrication
Commutation system	spool
Ways/positions	5/2 - 5/3 - 3/2+3/2
Max pressure	8 bar (electrical control) 10 bar (pneumatic control)
Control	indirect electropneumatic, pneumatic
Return	mechanical spring, pneumomechanical spring, pneumatic amplified, electrical amplified
Connections	G1/4
Nominal flow rate (NI/min)	1700 (5/2) 1450 (5/3) 1450 (3/2+3/2)

CONSTRUCTIVE CHARACTERISTICS

Valve body	aluminum
Seals	nitrile rubber
Actuators	technopolymer
Sub-base	technopolymer/aluminum
Spool	aluminum

ELECTRICAL CHARACTERISTICS

Electropilot	electropilot U6
Coil	DL series
Voltage	12 V DC - 24 V DC - 24 V AC - 48 V AC - 110 V AC - 230 V AC
Power consumption	2,5 W 5 VA
Protection degree	IP65
Manual override	impulse 1/2 positions

CODIFICATION KEY

E	L	2	2	F	2	5	0	
		1	2	3	4	5		

1 Series EL22F = ESSENTIAL Valves 22 mm - G1/4	2 Type 2 = 5/2 6 = 3/2+3/2 NC-NC 3 = 5/3 c.c. 7 = 3/2+3/2 NC-NO 4 = 5/3 o.c. 8 = 3/2+3/2 NO-NO 5 = 5/3 p.c.
--	---

3 Control 14 3 = Pneumatic amplified 5 = Electrical amplified DC/AC	4 Return 12 0 = Pneumomechanical spring 1 = Mechanical spring 3 = Pneumatic amplified 5 = Electrical amplified DC/AC	5 Variant D = External pilot supply
--	---	---

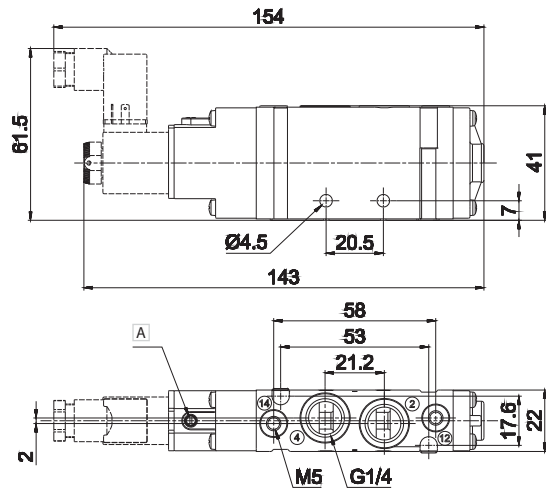
c.c. = closed centers o.c. = open centers p.c. = pressurized centers

Single electrical impulse



A Manual override

2 - 4 = Use
14 = Control
12 = Return



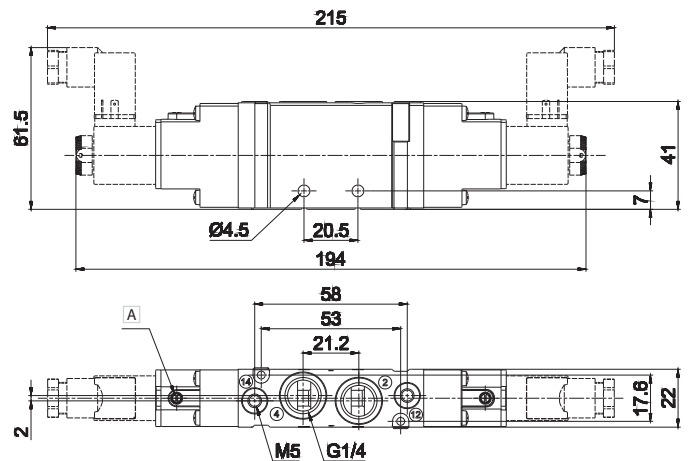
Symbol	Type	Control	Return	Pressure bar	Weight Kg	Part No.
	5/2	electrical amplified	pneumomechanical spring	1,5÷8	0,186	EL22F250
	5/2	electrical amplified	mechanical spring	1,9÷8	0,186	EL22F251

Double electrical impulse



A Manual override

2 - 4 = Use
14 = Control
12 = Return

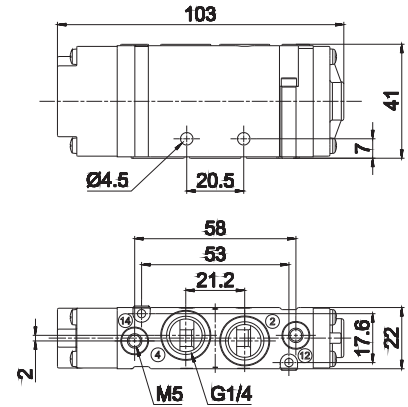


Symbol	Type	Control	Return	Pressure bar	Weight Kg	Part No.
	5/2	electrical amplified	electrical amplified	1,5÷8	0,210	EL22F255
	5/3 c.c.	electrical amplified	electrical amplified	1,9÷8	0,210	EL22F355
	5/3 o.c.	electrical amplified	electrical amplified	1,9÷8	0,210	EL22F455
	5/3 p.c.	electrical amplified	electrical amplified	1,9÷8	0,210	EL22F555
	3/2 NC + 3/2 NC	electrical amplified	electrical amplified	1,5÷8	0,210	EL22F655
	3/2 NC + 3/2 NO	electrical amplified	electrical amplified	1,9÷8	0,210	EL22F755
	3/2 NO + 3/2 NO	electrical amplified	electrical amplified	1,9÷8	0,210	EL22F855

c.c. = closed centers o.c. = open centers p.c. = pressurized centers

Solenoid valves are supplied without coil and connector

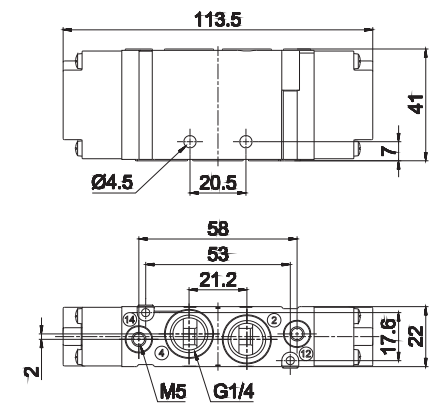
Single pneumatic impulse



2 - 4 = Use
14 = Control
12 = Return

Symbol	Type	Control	Return	Pressure bar	Weight Kg	Part No.
	5/2	pneumatic amplified	pneumomechanical spring	1,9÷10	0,167	EL22F230
	5/2	pneumatic amplified	mechanical spring	2÷10	0,167	EL22F231

Double pneumatic impulse

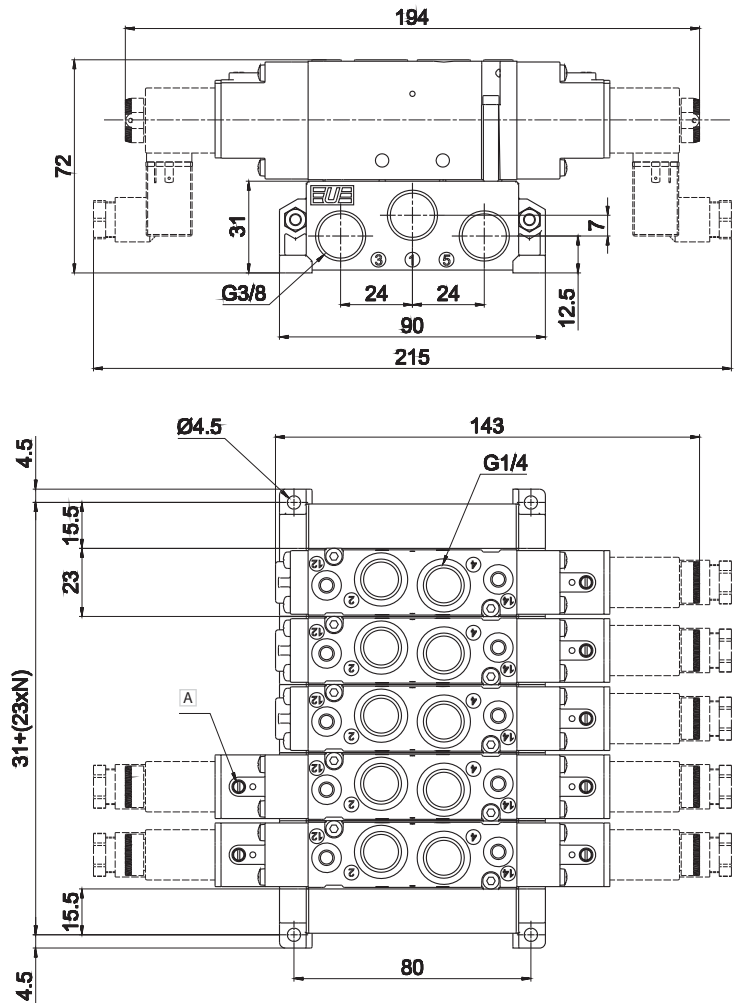


2 - 4 = Use
14 = Control
12 = Return

Symbol	Type	Control	Return	Pressure bar	Weight Kg	Part No.
	5/2	pneumatic amplified	pneumatic amplified	0,7÷10	0,172	EL22F233
	5/3 c.c.	pneumatic amplified	pneumatic amplified	1,6÷10	0,172	EL22F333
	5/3 o.c.	pneumatic amplified	pneumatic amplified	1,6÷10	0,172	EL22F433
	5/3 p.c.	pneumatic amplified	pneumatic amplified	1,6÷10	0,172	EL22F533
	3/2 NC + 3/2 NC	pneumatic amplified	pneumatic amplified	1,3÷10	0,172	EL22F633
	3/2 NC + 3/2 NO	pneumatic amplified	pneumatic amplified	1,3÷10	0,172	EL22F733
	3/2 NO + 3/2 NO	pneumatic amplified	pneumatic amplified	1,3÷10	0,172	EL22F833

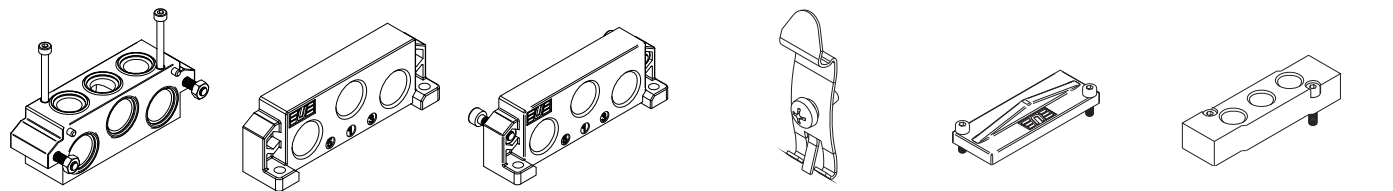
c.c. = closed centers o.c. = open centers p.c. = pressurized centers

Modular sub-base in technopolymer



- A** Manual override
- 1 = Supply
- 2 - 4 = Use
- 3 - 5 = Exhaust
- 14 = Control
- 12 = Return
- N = Number of valve places

EL22SF300	EL22SF515	EL22SF516	EL22SF518	EL22SF560	EL22SF570
-----------	-----------	-----------	-----------	-----------	-----------

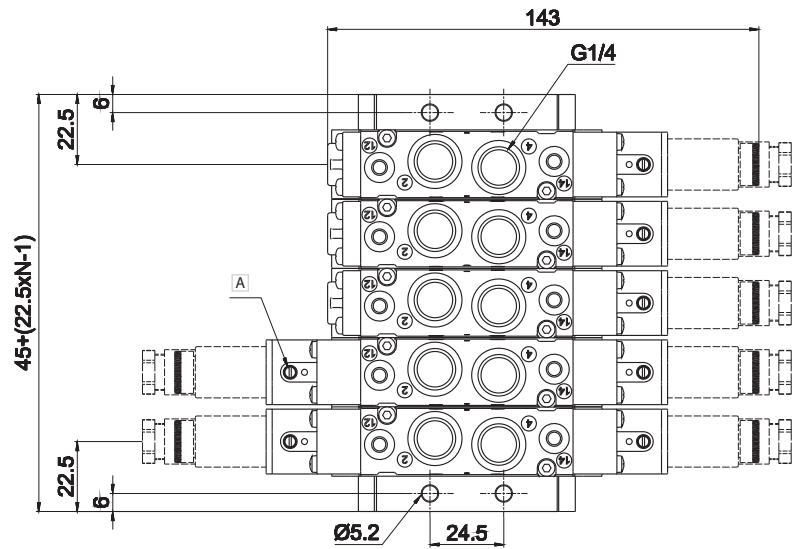
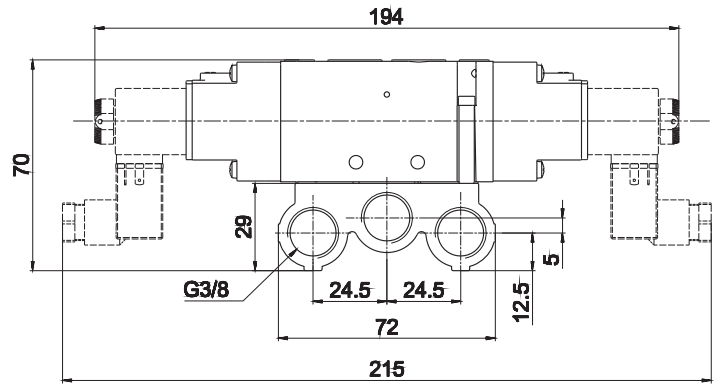
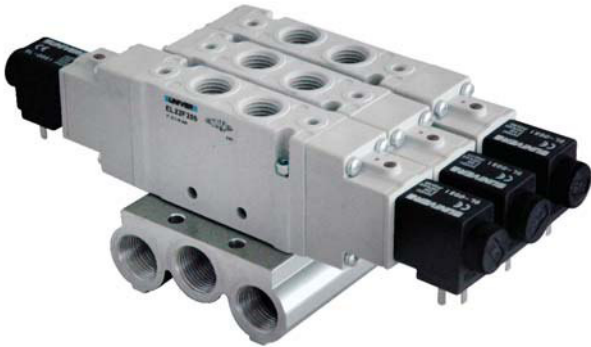


Sub-base 1 place Screws and seals are included	Left supply plate G3/8	Right supply plate G3/8 Screws and seals are included	Fixing spring for DIN rail Screws are included	Closing plate for unused valve place Screws are included	Intermediate supply plate Screws are included
---	------------------------	--	---	---	--

Coil and connector

<p>■ Coil</p> <ul style="list-style-type: none"> DL-0050 12 V DC 2,5 W DL-0051 24 V DC 2,5 W DL-0106 24 V AC 50/60 Hz 5 VA DL-0108 110 V AC 50/60 Hz 5 VA DL-0124 230 V AC 50/60 Hz 5 VA 	<p>■ Connector</p> <p>AM-5109</p>
---	-----------------------------------

Aluminum sub-base



Part No.	No. Positions
EL22SF900-02	2
EL22SF900-03	3
EL22SF900-04	4
EL22SF900-05	5
EL22SF900-06	6
EL22SF900-07	7
EL22SF900-08	8
EL22SF900-09	9
EL22SF900-10	10

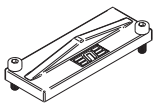
The sub-base includes gaskets and screws for mounting valves

A Manual override

- 1 = Supply
- 2 - 4 = Use
- 3 - 5 = Exhaust
- 14 = Control
- 12 = Return

N = Number of valve places

EL22SF560



Closing plate for unused valve place
Screws are included