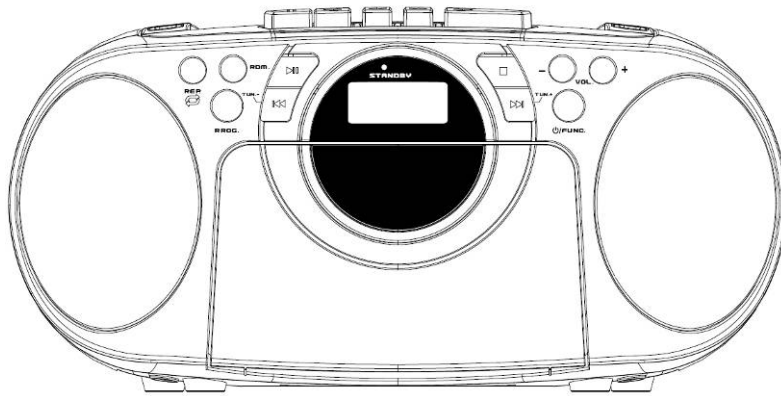




Instruction Manual

Portable CD/Cassette Player with FM Stereo Radio

Dual P 70



IMPORTANT: Please read before using and retain for future reference.

IMPORTANT NOTES

INTRODUCTION

- Thank you for buying our product.
- Please read through these operating instructions, so you will know how to operate your equipment properly. After you finished reading the instructions manual, put it away in a safe place for future reference.

WARNING

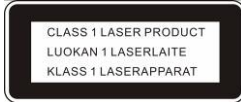
To prevent fire or shock hazard, do not expose this appliance to rain or moisture. To avoid electrical shock, do not open the cabinet; refer servicing to qualified personnel only.

CAUTION

Use of controls or adjustment or performance of procedures other than those specified herein may result in hazardous radiation exposure.

DANGER

Invisible laser radiation when open and interlock failed or defeated. Avoid direct exposure to beam.



This Compact Disc player is classified as a Class 1 LASER PRODUCT.

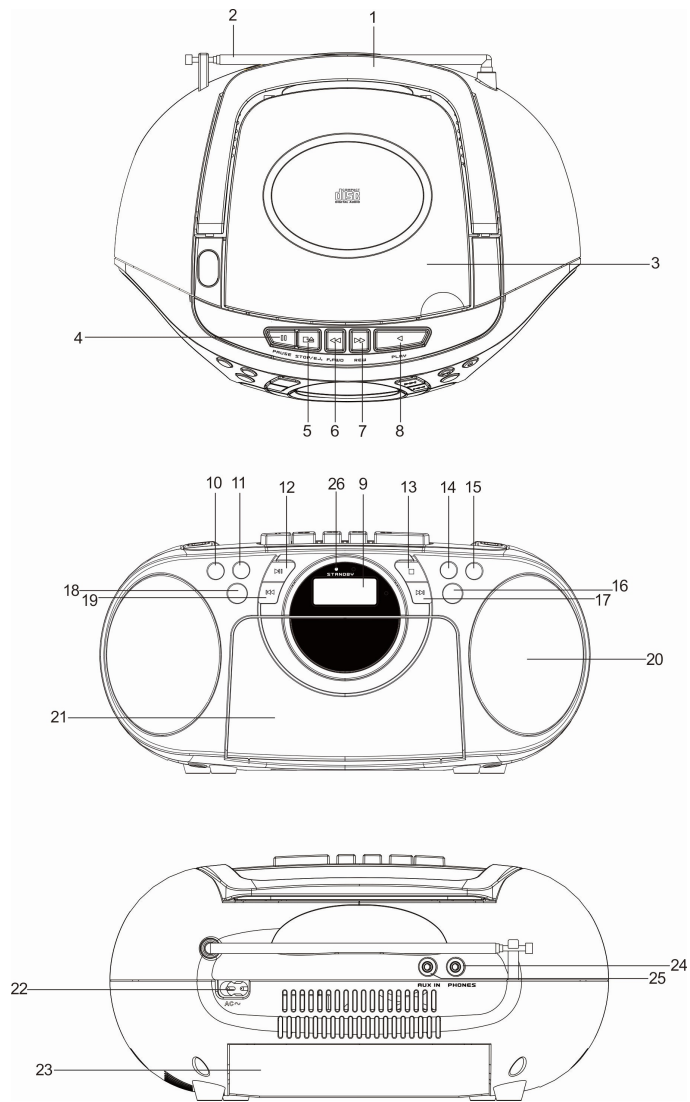
THE CLASS 1 LASER PRODUCT label is located on the bottom exterior.

NOTE: The manufacturer is not responsible for any radio or TV interference caused by unauthorized modifications could void the user's authority to operate the equipment.

- Avoid installing the unit in locations described below:
 1. Places exposed to direct sunlight or close to heat radiating appliance such as electric heaters, on top of other stereo equipment that radiate too much heat.
 2. Places lacking ventilation or dusty places.
 3. Places subject to constant vibration.
 4. Humid or moist places.
- Operate turning controls and switches as instructed in manual.
- Before turning on the power for the first time, make sure that the power cord is properly installed.
- Store your tapes or CD in a cool area to avoid damage from heat.

CAUTION: TO REDUCE THE RISK OF ELECTRIC SHOCK, DO NOT REMOVE COVER (OR BACK). NO USER SERVICEABLE PARTS INSIDE, REFER SERVICING TO QUALIFIED SERVICE PERSONNEL.

- WARNING:** Remove batteries if exhausted or if they will not be used again for a long period.
- The incorrect use of batteries can cause electrolyte leakage and will corrode the compartment or cause the batteries to burst, therefore:
 - Do not mix battery types, e.g. alkaline with zinc carbonate.
 - When inserting new batteries, replace all batteries at the same time.



NAMES OF CONTROLS

1. FOLDING HANDLE
2. FM TELESCOPIC ANTENNA
3. CD COMPARTMENT
4. CASSETTE PAUSE KEY
5. CASSETTE STOP/EJECT KEY
6. CASSETTE FAST FORWARD KEY
7. CASSETTE REWIND KEY
8. CASSETTE PLAY KEY
9. LCD DISPLAY
10. CD REPEAT BUTTON
11. CD RANDOM BUTTON
12. CD PLAYER/PAUSE BUTTON
13. CD STOP BUTTON
14. VOLUME DECREASE BUTTON
15. VOLUME INCREASE BUTTON
16. STANDBY/FUNCTION BUTTON
17. ►►/TUN.+ BUTTON
18. CD PROGRAM BUTTON
19. ◀◀/TUN.- BUTTON
20. SPEAKERS
21. CASSETTE COMPARTMENT
22. AC SOCKET
23. BATTERY COMPARTMENT
24. PHONES JACK
25. AUX IN JACK
26. STANDBY INDICATOR

POWER SOURCE

This unit is designed to be operated on AC/DC power.

AC OPERATION

Plug the tail of supplied AC power cord into AC socket on unit and the plug into household AC outlet. The batteries will be automatically disconnected.

DC OPERATION

Open the BATTERY COMPARTMENT DOOR. Install 6 pcs UM-2/C size batteries (not included) into compartment. Please follow correct polarities as indicated.

CAUTION

- Remove batteries if they are exhausted or long time use.
- Batteries contain chemical substances, so they should be disposed of properly.

BASIC FUNCTION

SWITCHING ON THE UNIT

After connecting the power, press **STANDBY/FUNCTION** button to turn on the unit, then press the **STANDBY/FUNCTION** button again to choose CD / AUX / TAPE or FM mode.

NOTE: In CD/AUX mode, when the unit is not providing the main function for 15 minutes, the unit will automatically switch into standby mode. To turn on the unit again, press "STANDBY/FUNCTION" button or replug the unit.

ESD hints – The product maybe reset or not reset to operation due to electrostatic discharge, just switch it off and reconnect again.

TO ADJUST VOLUME

Press **VOL. +/-** button to increase or decrease volume.

HEADPHONE JACK

For private listening, connect a 3.5mm headphone (not included) to the PHONES jack. The **SPEAKER** will be automatically disabled.

CAUTION: LISTENING AT A HIGH VOLUME OVER A LONG PERIOD IS NOT GOOD FOR YOUR EARS.

RADIO OPERATION

TUNING RADIO STATIONS

1. Press the **STANDBY/FUNCTION** button to choose radio mode: FM
2. Tune to the desired station by pressing **▶▶/TUN.+** or **◀◀/TUN.-** button, the station frequency will show on the display.
3. Press the **VOL.+/-** button to adjust the volume to a comfortable level.
4. To optimize reception when listening to FM stations, extend the telescopic antenna to its full length. When the stereo signal is received, the ST. indicator will show on the display.

AUTO PRESET MEMORY / SCAN

To search for and automatically save stations to preset memory, press and hold the **PLAY/PAUSE** button. Any station with a strong enough signal will be saved to preset memory. After the unit finishes scanning, the unit will automatically tune to preset station number 1 (P01). To tune to the next or previous preset station, press **PROG.** button first, then press **▶▶/TUN.+** or **◀◀/TUN.-** button immediately to go to next or previous preset station.

MANUAL PRESET MEMORY OPERATION

You may pre-store 30 radio stations in memory for your preference.

1. Tune to the desired station that you want to save as a preset by pressing **▶▶/TUN.+** or **◀◀/TUN.-** button.
2. Press and hold the **PROG.** button on unit, PROG indicator will flash and "P01" will show on the display to indicate that you are saving the station as preset memory 01, to change the preset memory sequence, press **▶▶/TUN.+** or **◀◀/TUN.-** button., then press **PROG.** button on unit again to enter.
3. Search another station, repeat steps (1) & (2) until all desired stations stored. Up to 30 FM stations can be programmed.
4. To tune to the next or previous preset station, press **PROG.** button first, then press **▶▶/TUN.+** or **◀◀/TUN.-** button immediately to go to next or previous preset station.

CD OPERATION

Discs for Playback

This system can playback all digital audio CD, finalized digital audio CD-Recordable (CD-R) discs, finalized digital audio CD-Rewritable (CD-RW) discs.

LOADING A DISC

1. Press the **STANDBY/FUNCTION** button to choose CD mode.
2. Open the CD door and place an audio CD into the disc tray with the label side facing up.
3. Close the CD door, the total number of tracks will appear in the display after several seconds.
4. To remove the CD, lifting CD door up to open CD compartment lid, grasp the CD by its edges, and carefully take it out.

Note:

- To ensure good system performance, wait until the disc tray completely reads the disc before proceeding.
- If no disc loaded into the compartment, or the disc is placed upside down or unreadable, the display will show " **NO** ".

PLAYING A DISC

1. After loading a disc, playback starts from track 1 automatically.
2. To interrupt playback, press the CD **PLAY/PAUSE** button, the play indicator and track No. will flash on the display.
3. To resume playback, press the CD **PLAY/PAUSE** button again.
4. To stop playback, press the CD **STOP** button, the total number of tracks appears in the display.

SELECTING A DESIRED TRACK/PASSAGE

To select a desired track

- Press **▶▶/TUN.+** or **◀◀/TUN.-** button repeatedly in stop mode or during playing until the desired track appears on the display.

To search for a particular passage during playback (track scanning at high speed)

Press and hold **▶▶/TUN.+** or **◀◀/TUN.-** button to scan the current playing track at high speed until desired point (passage), then release the button.
Playback will start again from this point.

PROGRAM TRACKS

Program tracks of disc are possible when playback is stopped. Up to CD 20 tracks can be stored in the memory in any order.

1. Press **PROG.** button in stop mode, **PROG** indicator will flash and "P01" will show on the display.
2. Press **▶▶/TUN.+** or **◀◀/TUN.-** button to select a track number.
3. Press the **PROG.** button to store the track number.
4. Then "display will show "P02". Repeat step (3) to (4) to program other desired tracks.
5. Press CD **PLAY/PAUSE** button, playback will start from the first programmed track.
6. You can press **▶▶/TUN.+** or **◀◀/TUN.-** button to select the track number in memory.
7. Press the **STOP** button to stop program playback.

To Erase the Memory (Program)

To clear the program, you may have two ways:

1. Press CD **STOP** button when the disc stopped, or
2. Open the CD compartment lid, program will be erased.

REPEAT

You can play one track or all tracks on the disc repeatedly.

To Repeat a Single Track

1. Press CD **REP.** button once in play, the **REP** indicator will flash on the display. The current track will be played over and over again till you press **STOP** button.
2. To cancel repeat play, press CD **REP.** button until the **REP** indicator disappears.

To repeat all the Tracks

1. Press CD **REP.** button twice in play, the REP indicator will show steady on the display, all tracks on the disc will be played over and over again till you press STOP button.
2. To cancel repeat play, press CD **REP.** button until the REP indicator disappears.

RANDOM PLAY

Press the CD **RDM** button in Play/Stop mode to activate random playback, the RDM indicator will show on the display, playback will start from any one track (not in the order of the disc). To cancel the RANDOM, press the **RDM** button again.

AUX IN OPERATION

This unit provides a 3.5mm AUX IN jack, through this jack other audio sources can be connected to this unit and be amplified.

1. Press the **STANDBY/FUNCTION** button to choose AUX mode.
2. Connect the audio cable into the AUX IN jack and the other end connects to the AUDIO OUT jack of the external audio source. The unit will change to AUX mode automatically.
3. Adjust the volume of the main unit to your desired level.
4. Press PLAY of the external audio source (eg. MP3 player) to start playback.

CASSETTE OPERATION

UNDERSTANDING THE BUTTONS

RECORD - Press to record from the radio or CD player.

PLAY - Press to play cassettes.

REWIND - From stop mode, press to rewind the tape toward the beginning.

F.FWD - From stop mode, press to advance the tape toward the end.

STOP/EJ. - Press to stop current tape activity or to open the cassette compartment door when no buttons are active.

PAUSE - Press to interrupt tape play or record mode. Press the second time to resume tape play or tape record mode.

PLAYING A CASSETTE TAPE

1. Press the **STANDBY/FUNCTION** button to Choose TAPE mode.
2. Press **STOP/EJ.** Key to open the cassette compartment door.
3. Insert cassette tape into the compartment with the open edge facing up and the full reel on the right.
4. Close the door securely.
5. Press **REWIND** or **F.FWD** to move tape to the desired starting point.
6. Press **PLAY** key to begin playing the tape.
7. Adjust the volume to your desired listening level.

AUTOMATIC STOP FEATURE

When the cassette deck is operating in play mode and the end of the tape is reached, the unit automatically shuts itself off and returns all buttons to the off position.

TYPES OF CASSETTE

Use only good quality cassettes (IEC TYPE 1) for making recordings. May be used to replay other types of cassette but is unable to make proper recording on these more specialized tapes. The use of C120 cassettes is NOT recommended in this machine.

PROTECTING RECORDING

Normally, anything recorded on the tape is automatically erased when new recording is made. It is possible to protect your recording from accidental erasure by removing the tabs found on the rear of the cassette.



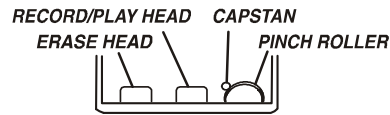
ERASE TAB
FOR SIDE "A"

When the cassette is held with the recorded side upper-most and exposed tape facing the front, the protective tab will be found on the left rear of the cassette.

All pre-recorded cassette are protected in this way to prevent accidental erasure of the commercial recording. "Protected" cassette will prevent the record button from being operated. If at any time you attempt to record and find that this button will not depress, never force the mechanism or it may be damaged. Check that a cassette has been loaded and that tab has not been removed. Recording on a cassette from which the tabs have been removed can be done by covering the tab openings with a piece of adhesive tape.

CARE OF CASSETTE MECHANISM

Gently clean the tape head and pinch wheel/capstan assemblies after every 10 hours of using the unit. A range of cassette care products are available.



The erase head and record/play head and the surface of the pinch roller are delicate and must not be touched with metal objects such as screwdrivers. You may find it easier to clean the assembly by pressing the PLAY button to bring head and pinch roller into view. Be sure to press the STOP button after cleaning the mechanism.

Damage to the pinch wheel can occur if the unit is left in PLAY mode with the power switch off. Under no circumstances should you attempt to lubricate any part of the machine.

SPECIFICATIONS

GENERAL

Power Requirement	AC 100-240 ~ 60/50Hz DC 9V U M-2/C x 6 PCS
Power consumption	12 Watts
Weight	Approx.1.46 kg
Dimensions	285mm (W) x 213mm (D) x 140mm (H)
Operation temperature	+5 ° C – +35 ° C

RECEIVER SECTION

Receiving Bands	FM
Tuning Range	FM 87.5– 108 MHz

COMPACT DISC SECTION

Optical Pickup	3 – Beam Laser
Frequency Response	100Hz – 16KH z

CASSETTE SECTION

Recording System	2 Tracks 2 Channel (Stereo)
Bias System	DC Bias
Frequency Response	125 – 4 K H z
Wow and Flutter	0.4% WRMS (JIS)

AUDIO SECTION

Power output	Maximum 1.5 W x 2
--------------	-------------------

ACCESSORIES

Instruction Booklet	1
AC Cord	1

Note: Specifications are subject to change for continuous improvement; therefore, we reserve the rights to those modifications without prior notice.