

**Industrial Ethernet  
IE-OM-V04P-K21-2S**

**Weidmüller Interface GmbH & Co. KG**  
Klingenbergstraße 16  
D-32758 Detmold  
Germany  
Fon: +49 5231 14-0  
Fax: +49 5231 14-292083  
www.weidmueller.com



Similar to illustration

Double junction box, design for PushPull plug-in connectors ver.4 according to IEC 61076-3-106, metal

**General ordering data**

Type	IE-OM-V04P-K21-2S
Order No.	<a href="#">1966250000</a>
Version	Junction box, IP67, Variant 4, 2 ports, straight
GTIN (EAN)	4032248658442
Qty.	1 pc(s).

**Industrial Ethernet  
IE-OM-V04P-K21-2S**

**Weidmüller Interface GmbH & Co. KG**  
 Klingenbergstraße 16  
 D-32758 Detmold  
 Germany  
 Fon: +49 5231 14-0  
 Fax: +49 5231 14-292083  
 www.weidmueller.com

**Technical data****Dimensions and weights**

Length	125 mm	Length (inches)	4.921 inch
Width	136 mm	Width (inches)	5.354 inch
Depth	57 mm	Depth (inches)	2.244 inch
Net weight	475 g		

**Temperatures**

Operating temperature, max.	70 °C	Operating temperature, min.	-40 °C
Operating temperature	-40 °C...70 °C	Storage temperature	
Installation temperature			

**Environmental Product Compliance**

REACH SVHC	Lead 7439-92-1
------------	----------------

**General data**

Colour	grey	Housing main material	AL-Si 12
Plugging cycles	750	Protection degree	IP67
Sheath diameter, max.	10 mm	Sheath diameter, min.	5 mm
Type of mounting	Floor-mounted, Wall mounting		

**Standards**

Connector standard	IEC 61076-3-106 Var. 4
--------------------	------------------------

**Classifications**

ETIM 3.0	EC001084	ETIM 4.0	EC000439
ETIM 5.0	EC000439	ETIM 6.0	EC000261
UNSPSC	30-21-18-18	eClass 5.1	19-07-04-01
eClass 6.2	27-25-05-04	eClass 7.1	27-25-05-04
eClass 8.1	19-17-01-25	eClass 9.0	27-18-01-01
eClass 9.1	27-18-92-90		

**Approvals**

Approvals



ROHS	Conform
------	---------

**Data sheet****Industrial Ethernet  
IE-OM-V04P-K21-2S**

**Weidmüller Interface GmbH & Co. KG**  
Klingenbergstraße 16  
D-32758 Detmold  
Germany  
Fon: +49 5231 14-0  
Fax: +49 5231 14-292083  
www.weidmueller.com

**Technical data****Downloads**

---

Approval/Certificate/Document of Conformity	<a href="#">GOST Approval</a>
Brochure/Catalogue	<a href="#">CAT 9 IETH 15/16 EN</a> <a href="#">MB FREECONTACT EN</a> <a href="#">FL FIELDWIRING EN</a> <a href="#">PI PROFINET CABLING EN</a>
Engineering Data	<a href="#">WSCAD</a>
User Documentation	<a href="#">MAN IE GUIDE DE</a> <a href="#">MAN IE GUIDE EN</a>

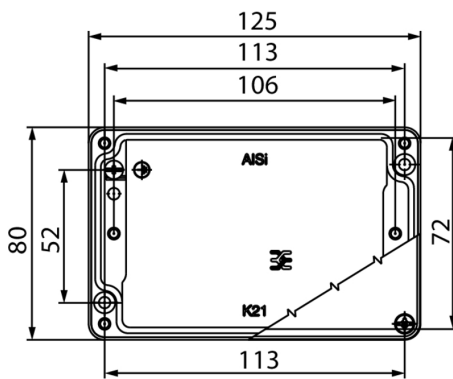
---

**Industrial Ethernet  
IE-OM-V04P-K21-2S**

**Weidmüller Interface GmbH & Co. KG**  
Klingenbergstraße 16  
D-32758 Detmold  
Germany  
Fon: +49 5231 14-0  
Fax: +49 5231 14-292083  
www.weidmueller.com

**Drawings**

**Dimensioned drawing**



**Drawing**

